

TOP MOUNTING POSITION

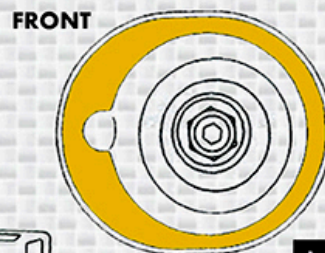
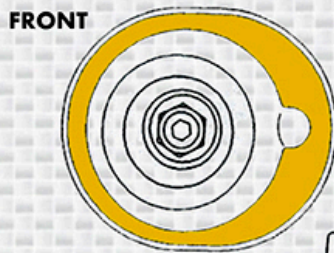
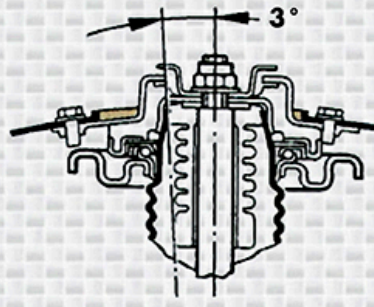
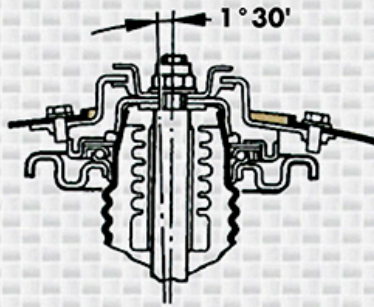
Citröen Xsara



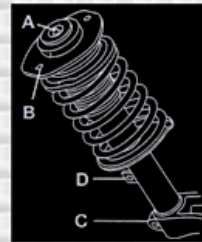
FI068EU

All models except Xsara 2.0
Caster angle 1° 30'

Xsara 2.0
Caster angle 3°



The geometry analysis and the further adjustments must be carried out under the correct load conditions



TIGHTENING TORQUES

		daN.m
A	Shock absorber piston nut	4.5
B	Upper mounting to car body	2.5
C	Lower pivot mounting	4.5
D	Top nut of stabilizer bracket	4