

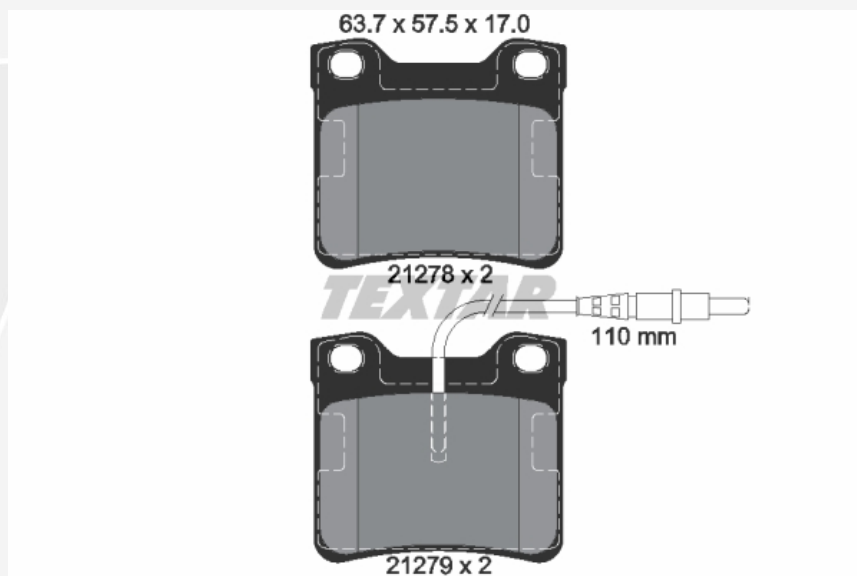
Replacement of 2127801 by 2190403

In order to help our customers to decrease complexity, we are optimizing the portfolio.

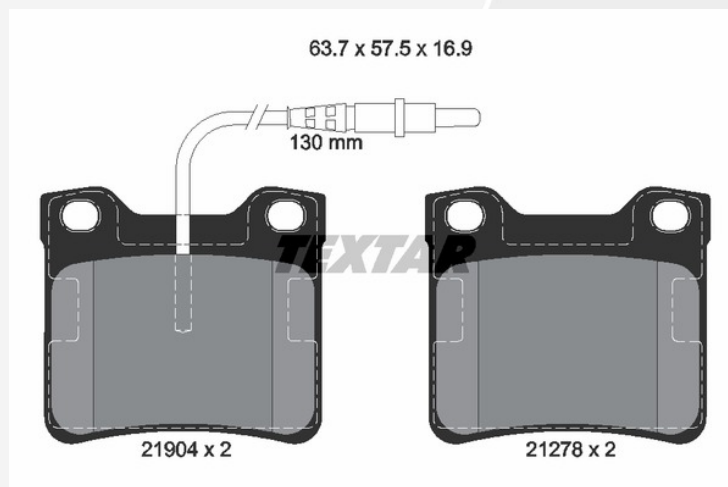
Therefore, due to the fact that the references are now interchangeable we harmonize these two into one: 2190403, which will cover applications of both part numbers.

As you can see in the below picture there is no significant difference in the outer dimensions of the pad.

2127801



2190403



As usual, old stock of 2127801 can be sold out without any problems.