



INSTALLATION ADVICE

from BG Automotive

TB-0770-012019

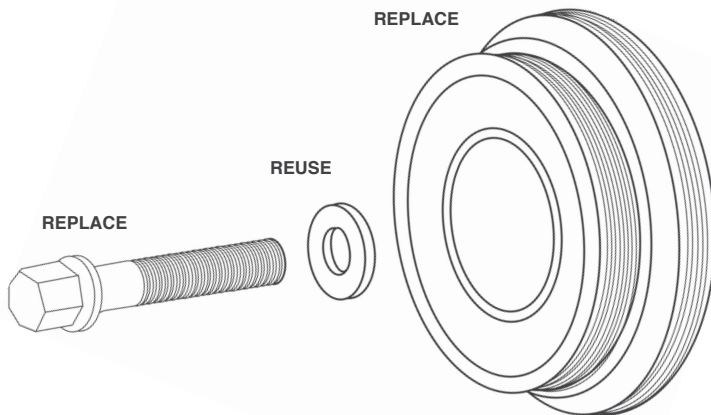
DP1200

DP1195

A - 96MM6K134AB - M12 x 29mm

B - 88WM6K340DA - M12 x 44.5mm

C - BM5G6K340AB - M14 x 80mm



IMPORTANT

A / B

Torquing specification:

- 1) 40Nm
- 2) +90°

C

Torquing specification:

- 1) 100Nm
- 2) +90°
- 3) (Wait 10 seconds) +15°

REPLACE

Auswechseln

Remplacer

Sostituire

Reemplazar

заменять

REUSE

Wiederverwendung

Réutiliser

Riutilizzare

Reutilizar

повторное использование

For more information, call +44 (0) 1793 491 777 or email technical@bgautomotive.co.uk

[WWW.BGAUTOMOTIVE.CO.UK](http://www.BGAUTOMOTIVE.CO.UK)



/BGAUTOMOTIVEUK



@BG_AUTOMOTIVE

RELATED BULLETINS