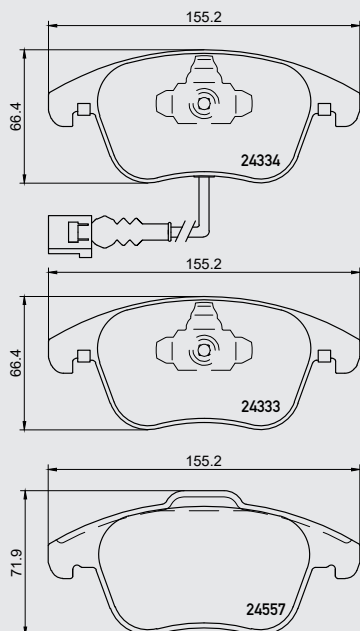


Replacement of MDB3395 by MDB2973.

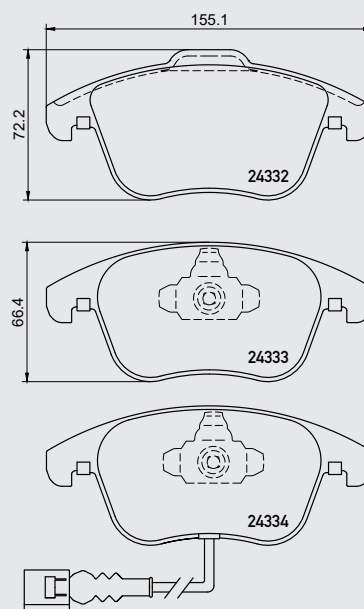
Mintex is now able to harmonize the references MDB3395 and MDB2973. It was proven that MDB2973 can also cover the applications of MDB3395. Therefore Mintex will replace MDB3395 by MDB2973.

The differences between MDB3395 by MDB2973 are the wrap around shim in the sliding areas of the pads. All other dimensions are equal or almost equal and have no effect on the function of the brake pads. Therefore there will be no difficulties during installation and operation.

MDB3395



MDB2973



As usual, existing stock of MDB3395 can be sold out without any problems.