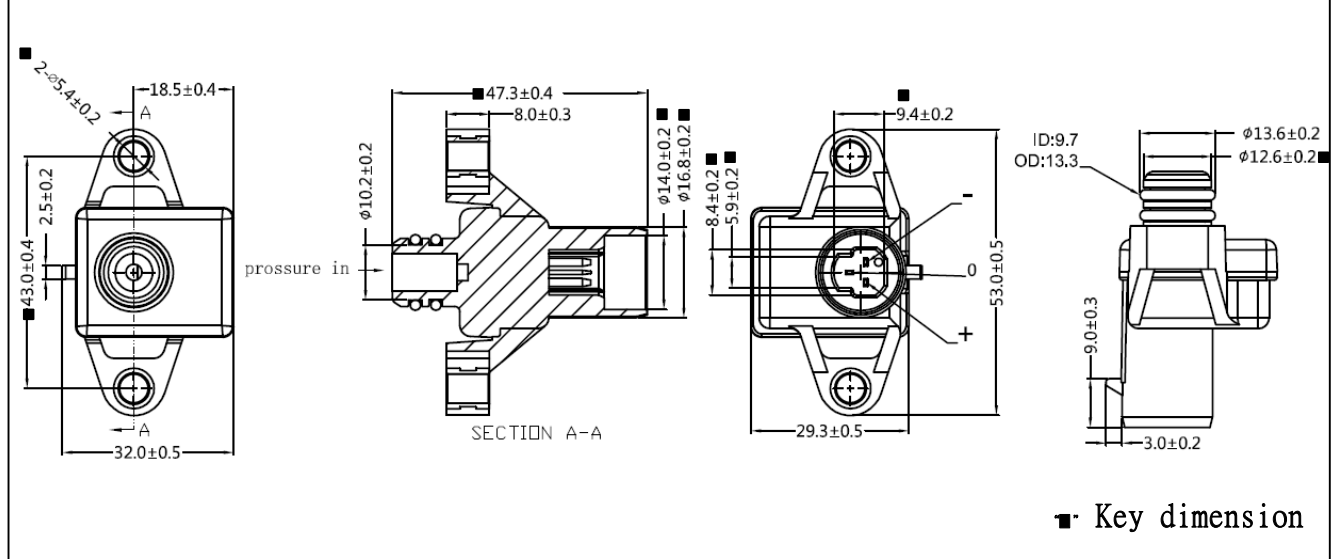


NAME	MS-U018 Electrical Specifications	NO	MS-1-4-105
-------------	--	-----------	-------------------



Drawing and Dimension



PARAMETERS AND CONDITIONS	SYMBOLS	MIN.	TYP.	MAX.	UNITS
Storage Temperature Range	T_{ST}	-40		-150	°C
Operating Temperature Range	T_{OP}	-40		125	°C
Pressure Range	P_r	7		110	KPa
Supply Voltage	V_{Sv}	4.8		5.2	V
Supply Current	I_{sc}		10		mA
Accuracy @ 25°C	%FS	-3		+3	%FS
The MAP voltage output at 25°C (@ Supply Voltage (Vs)=5.0Vdc, rated pressure = 101.3KPa)	V	4.30	4.60	4.90	V

2021.07.01		1	王亮	汪芳波	黄鹏	MOBILETRON
Date of first edition	Date of revised edition	edition	Manuscript	Review	Approval	Jul.06.2021
						Release