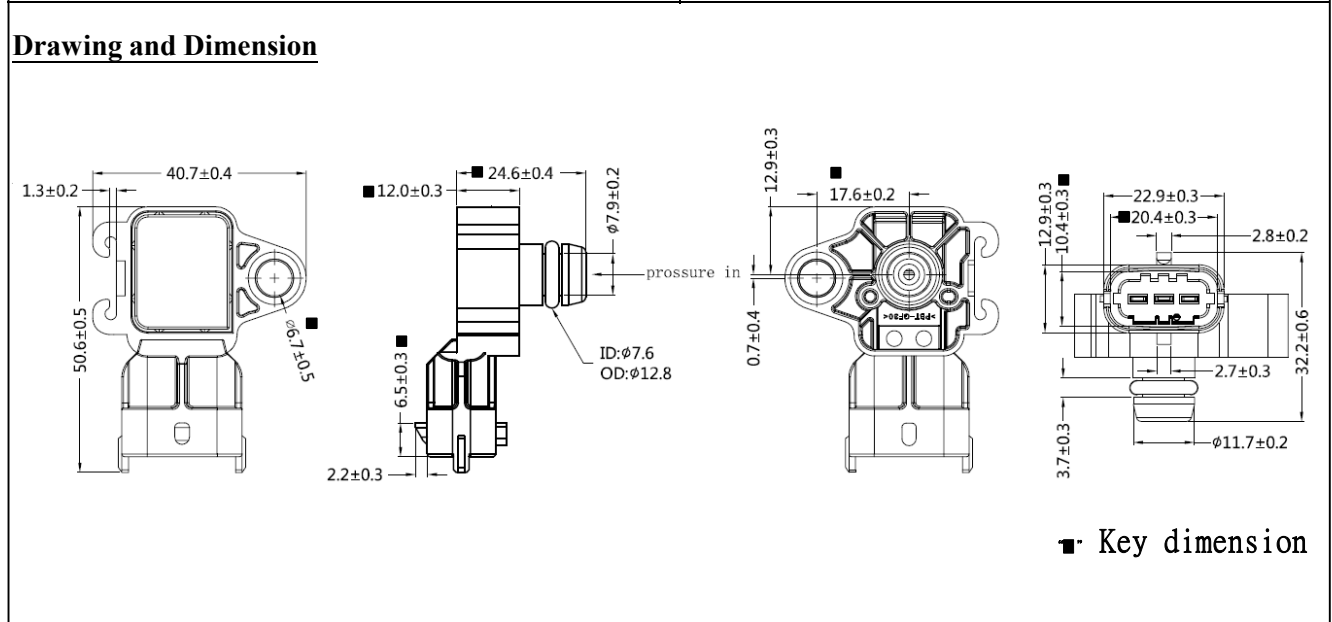
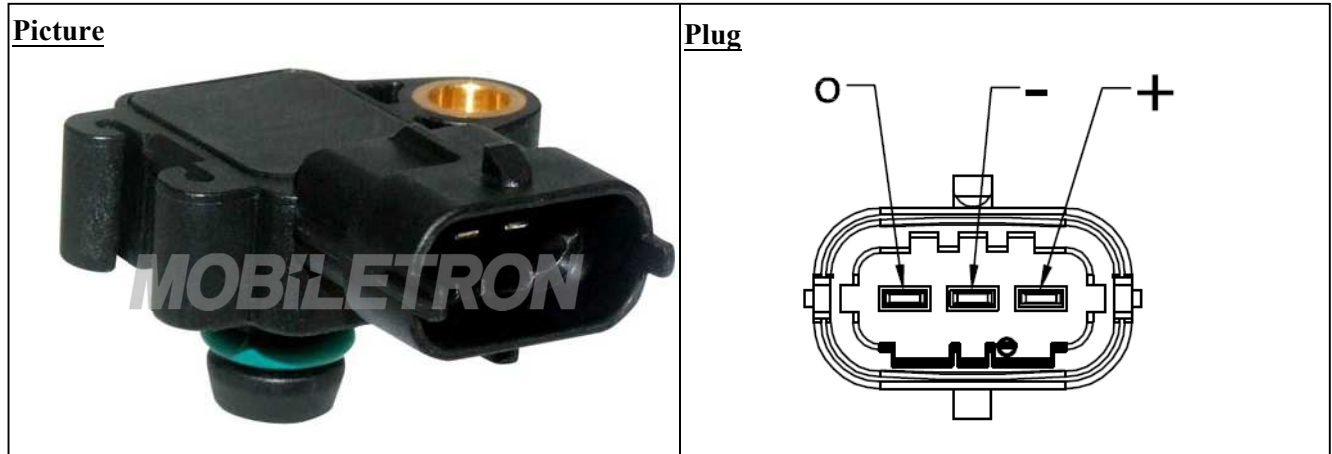


NAME	MS-E077 Electrical Specifications	NO	MS-1-4-104
-------------	--	-----------	-------------------



PARAMETERS AND CONDITIONS	SYMBOLS	MIN.	TYP.	MAX.	UNITS
Storage Temperature Range	T _{ST}	-40		-150	°C
Operating Temperature Range	T _{OP}	-40		125	°C
Pressure Range	P _r	0		365	KPa
Supply Voltage	V _{Sv}	4.8		5.2	V
Supply Current	I _{sc}		10		mA
Accuracy @ 25°C	%FS	-3		+3	%FS
The MAP voltage output at 25°C (@ Supply Voltage (Vs) = 5.0Vdc, rated pressure = 101.3KPa)	V	1.22	1.52	1.82	V

2021.07.01		1	王亮	汪芳波	黄鹏	MOBILETRON
Date of first edition	Date of revised edition	edition	Manuscript	Review	Approval	Jul.06.2021
						Release