
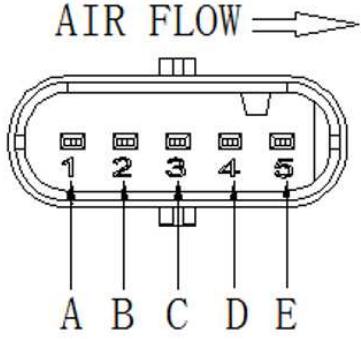
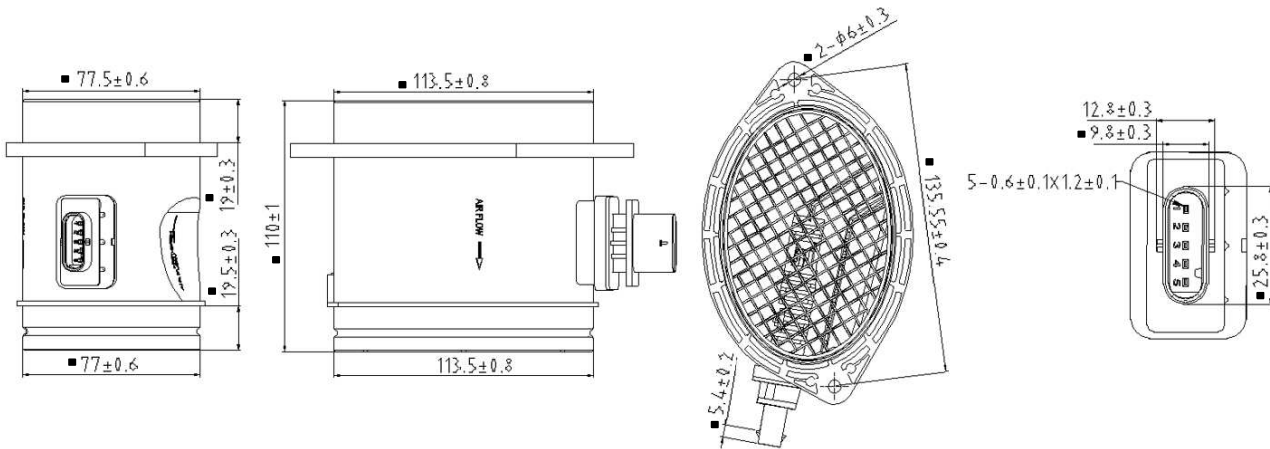


NAME	MA-B256 Electrical Specification	NO.	MA-1-1-564-6
-------------	---	------------	--------------

Mass Air Flow Sensor Schematic 	Connection Diagram  <table style="margin-left: auto; margin-right: 0;"> <tr><td>A、</td><td>+14V</td></tr> <tr><td>B、</td><td>GND</td></tr> <tr><td>C、</td><td>RT</td></tr> <tr><td>D、</td><td>REF</td></tr> <tr><td>E、</td><td>OUT</td></tr> </table>	A、	+14V	B、	GND	C、	RT	D、	REF	E、	OUT
A、	+14V										
B、	GND										
C、	RT										
D、	REF										
E、	OUT										

1. DRAWING AND DIMENSION.(mm)

“■” key dimension



2. ELECTRICAL PROPERTIES

2.1 Operating Temperature Range :

(AT t=23±5°C)

Accuracy : ±7 %

RT RESISTANCE : YES

Air-Flow Measuring Range : 10-800 Kg/h

2.2 OUTPUT VOLTAGE

(AT t=23±5°C)

INPUT VOLTAGE DC : 14 ± 0.1 V

Output Frequency : 1.5-6kHz

Response Time : ≤ 100ms

2021.03.11		1	王亮	呂漢榮	黃鵬	MOBILETRON
Date of first edition	Date of revised edition	edition	Manuscript	Review	Approval	Mar.16.2021
						Release