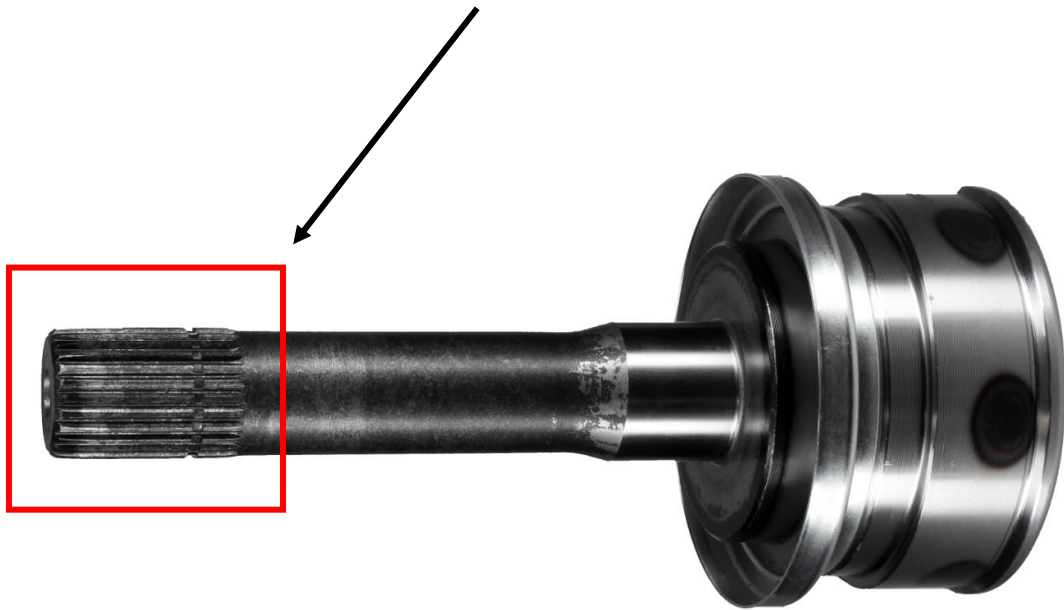




Ford Ranger / Mazda B-Series

No Hub Nut = Self Locking Hub



Hub Nut = Manual Locking Hub

