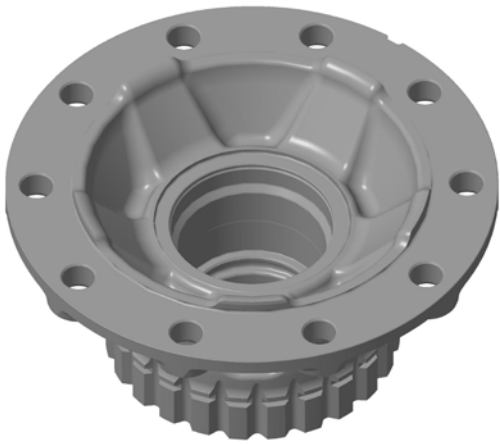
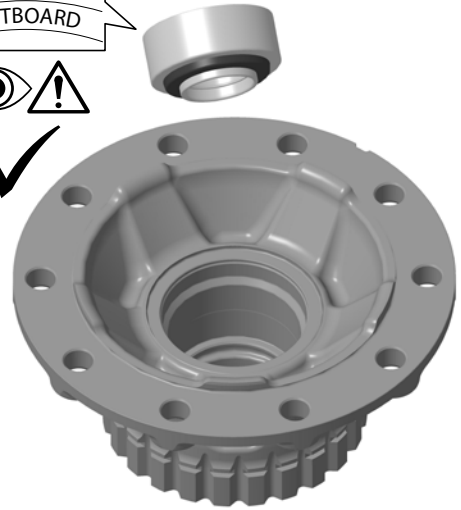


6

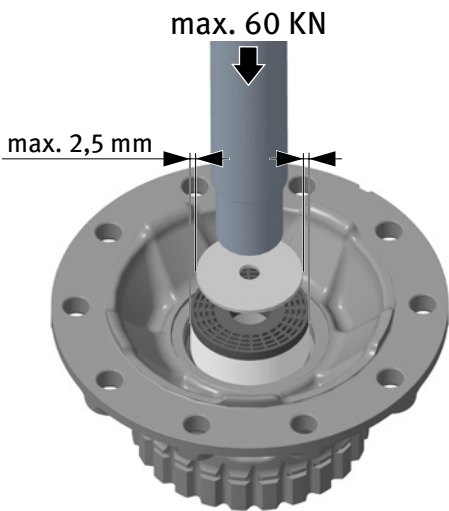


7

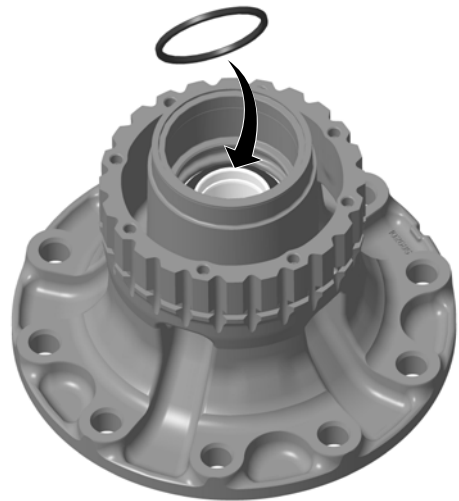
OUTBOARD



8

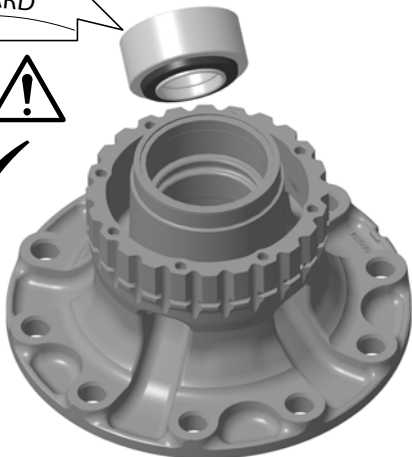


9

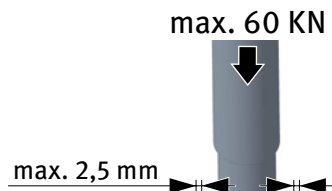


10

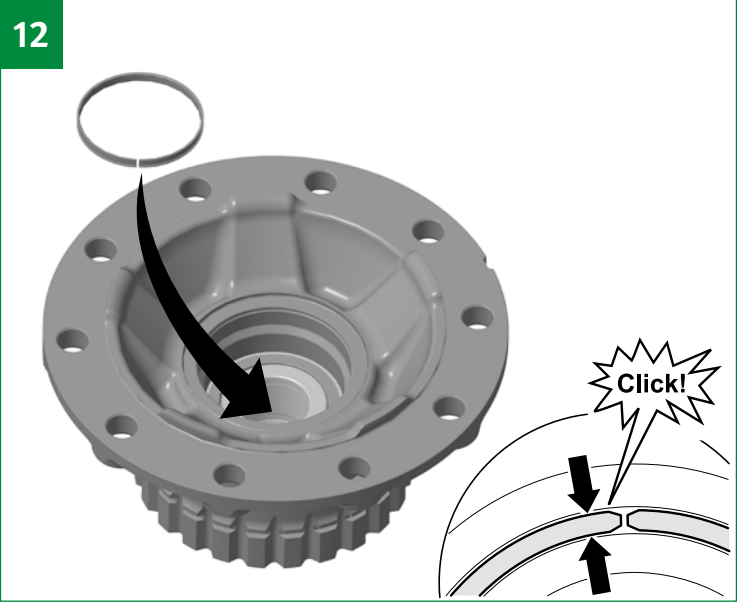
INBOARD



11



12



13



14

