



PRODUCT SHEET

Article Number	Description
GAT5155	Petrol Engine Setting / Locking Tool Kit

Introduction:

The 1.2, 1.5 & 1.6 Ti-VCT and SCTi (Ecoboost) 4-cylinder petrol engines are fitted in various cars and light commercial vehicles across the Ford range, the 1.6 SCTi Ecoboost engine also features in a number of popular Volvo models (known as GTDi).

The SCTi (Ecoboost) turbocharged engine is an evolution of the earlier Ti-VCT naturally aspirated 'Sigma' unit. Downsized 1.5 litre capacity variants of both engine types have been developed to meet the requirements of different markets. A number of tools are shared across Ti-VCT and Ecoboost engines with engine timing procedures for 1.5 variants of each engine type closely following the procedure for the 1.6 engines.

Kit Content:

Content	Article Number	Description	OE Reference
1	GAT3032-21	Crankshaft Locking Pin	303-748 & 21-259 & 999-7406
2	GAT4832	Flywheel Locking Tool	303-393A & 303-393-02
3	GAT4931	VVT Setting Plate	303-1097 & 999-7429
4	GAT4640T7	Belt Tensioner locking Pin	303-1054
5	GAT5156	Crankshaft Pulley Setting Tool	303-1550 & 999-7431
6	GAT5157	Camshaft Setting Plate	303-1552
7	GAT5158	Injector Seal Installer	310-128

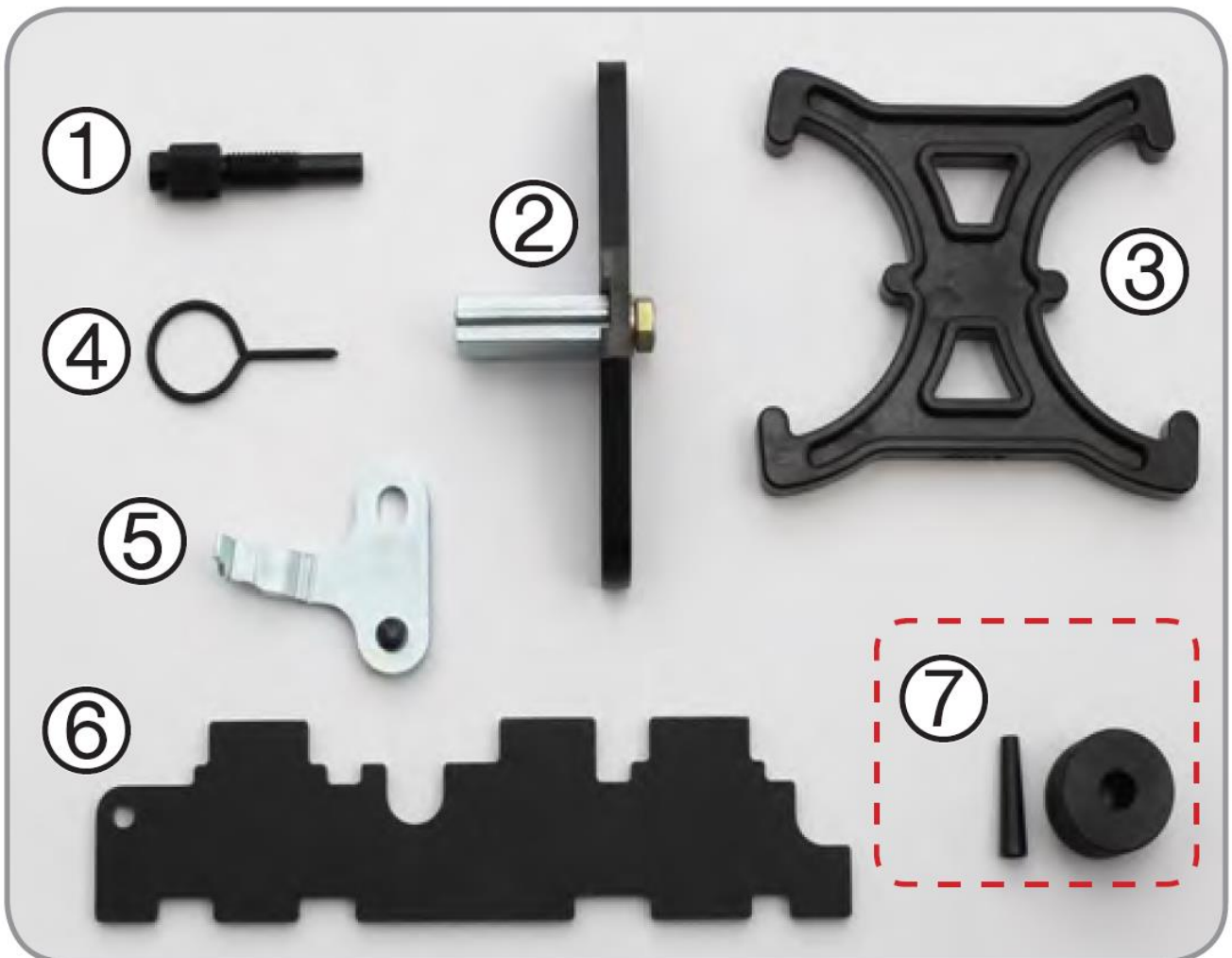
Application Info:

Brand	Models				
FORD	Ka+	Fiesta	Focus	B-Max	C-MAX
	Grand C-Max	Ecosport	Kuga	S-Max	Galaxy
	Mondeo	Transit Connect	Tourneo Connect		
VOLVO	S60	S80	V70	V40	V60
	V70				

Engine Codes

1.2 Ti-VCT	YSKD	YSKE		
1.5 SCTi	M8DA	M8DB	M8MA	M9DA
	M9DB	M9MA	UNCA	UNCB
	UNCC	UNCD	UNCE	UNCF
	UNCJ	UNCK		
1.5 Ti-VCT	UEJB			
1.6 SCTi	JQMA	JQMB	JTMA	JQDA
	JQDB	JQGA	JTBA	JTBB
	JTDA	JTDB	JTWA	JTWB
	JTJA	JTJB		
1.6 GTDi	B4164T	B4164T2	B4164T3	B4164T4
1.6 Ti-VCT	HXDA	HXDB	HXJA	HXJB
	IQDA	IQDB	IQJA	KGBA
	PNBA	PNDA	PNDD	RHBA
	RVJA	SIDA	XTDA	XTDB
	MUDD	MUDA	U5JA	

Kit content images:



Associated Tools:



GAT4844 - Camshaft Sprocket Holding Tool with inter-changeable pins