

## PARTICULARITIES OF FRONT SHOCK FITTING PROCESS

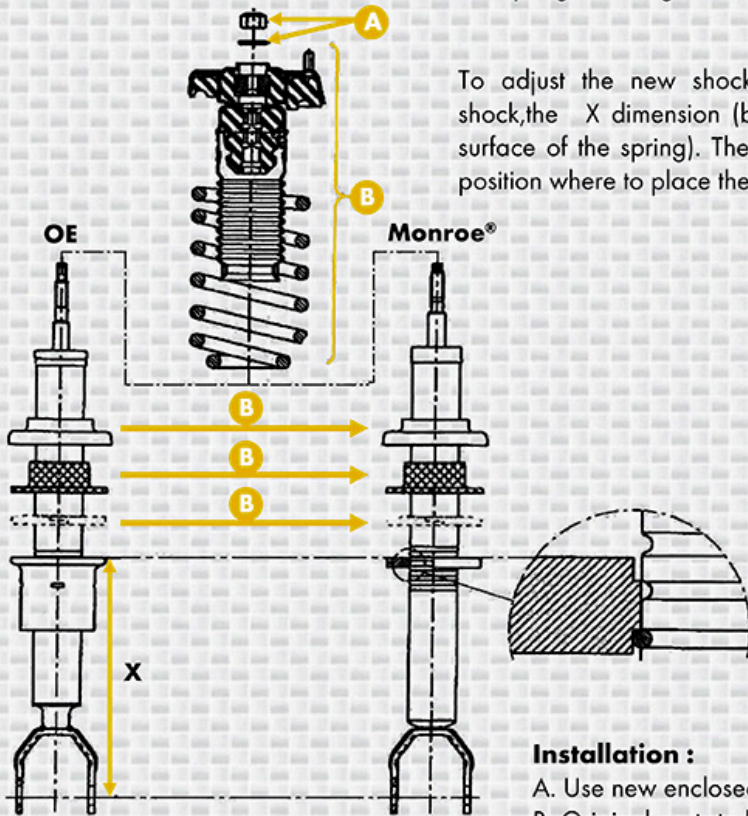
Mercedes W211



FI091EU

The spring seat height in the original equipment Shock is adapted to vehicle model.

To adjust the new shock absorber height, measure on the original equipment shock, the X dimension (between lower mounting attachment axis and the contact surface of the spring). Then find this measure on the below table to determine the position where to place the circlip.



X				
± 364 mm	→	○	→	12
± 360 mm	→	○	→	11
± 356 mm	→	○	→	10
± 352 mm	→	○	→	9
± 348 mm	→	○	→	8
± 344 mm	→	○	→	7
± 340 mm	→	○	→	6
± 336 mm	→	○	→	5
± 332 mm	→	○	→	4
± 328 mm	→	○	→	3
± 324 mm	→	○	→	2
± 320 mm	→	○	→	1

**Installation :**  
 A. Use new enclosed parts.  
 B. Original parts to be reused.

The spring pan height must be the same as the Original shock absorber