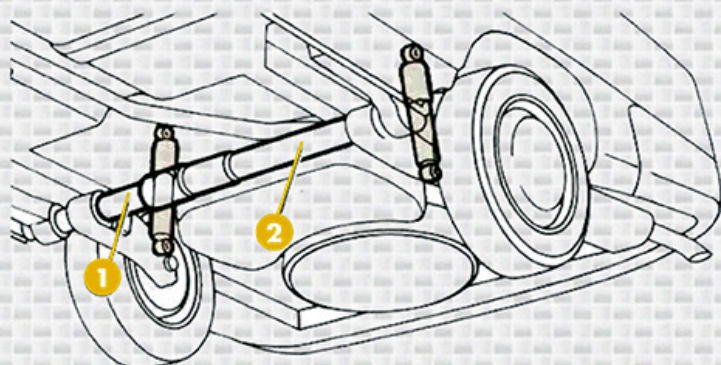


REAR SHOCK ABSORBERS

Renault R9/R11/R19



FI009EU

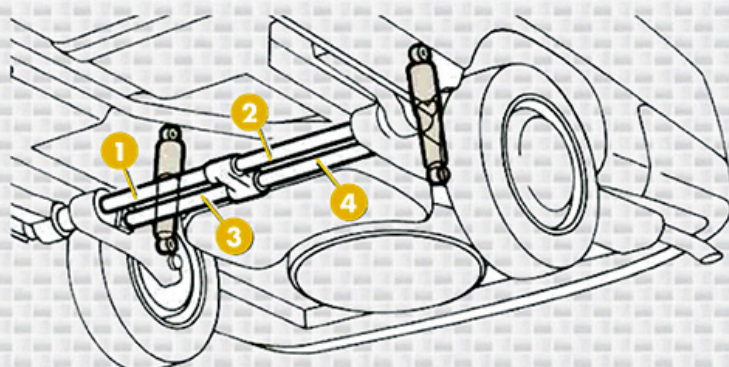


2 torsion bars

① + ②

MONROE®	ORIGINAL	SENSA-TRAC	REFLEX
RENAULT R9, R11	43047 R3724	S1034 (N/A)	N.A.
RENAULT R19	43068	N.A.	E5009

(N/A): Discontinued



4 torsion bars

① + ② + ③ + ④

MONROE®	ORIGINAL	SENSA-TRAC	REFLEX
RENAULT R9, R11	R3741	S5007 (N/A)	N.A.
RENAULT R19	43069	N.A.	E5010

(N/A): Discontinued