



Certified Automotive Parts Association

Vehicle Test Fit Report

Report Number: JPGC05FL1/VTF B

Gordon Auto Body Parts Co., Ltd.

Mfr. Part Number: JPGC05FL1

**New Part Approval (NPA)
Vehicle Test Fit B (VTF B)**



Date Performed: 13 December 2005
Performed by

Intertek ETL Entela

**Intertek ETL Entela
Engineering & Testing Laboratories**

This report shall not be reproduced except in full without the written approval of the testing laboratory.

**New Part Approval (NPA)
Vehicle Test Fit B (VTF B)
Summary Page**

Report Number:	JPGC05FL1/VTF B	
Prepared By:	SD	
Tested By:	Andrew Chatel <i>(Printed Name)</i>	 <i>(Signature)</i>
Witnessed By:	Richard Wang	Chen Cheng-Hao
Approved By:	Scott Jenkins <i>(Printed Name)</i>	 <i>(Signature)</i>
Date of Issue:	17 December 2005	

Testing Laboratory Name and Address:	Intertek ETL Entela 3033 Madison Avenue SE Grand Rapids, MI 49548 USA
Testing Location:	3542 Roger B. Chaffee SE Grand Rapids, MI 49548 USA

Applicant's Name and Address:	Gordon Auto Body Parts Co., Ltd. No. 48, Nie-Shi Road Lu Chu Hsiang, Taoyuan County, 338 Taiwan, R.O.C.
--------------------------------------	--

Test Specification Standard:	CAPA QSM
Test Procedure:	TVOP-006, Performing a New Part Approval (NPA), Vehicle Test Fit B (VTF B)
Test Report Form No.:	VTF.002F
TRF Originator:	Intertek ETL Entela
Master TRF:	14 November 2005

**New Part Approval (NPA)
Vehicle Test Fit B (VTF B)
Summary Page**

Report Number:	JPGC05FL1/VTF B
-----------------------	-----------------

TEST ITEM DESCRIPTION:	
Manufacturer Part Number:	JPGC05FL1
Manufacturer Lot Number:	11/05A
Car Company Service (CCS) Part Number:	55394451AB
Part Type:	LH Fender
Part Application:	Jeep Grand Cherokee 2005
Vehicle Used:	Jeep Grand Cherokee 2005

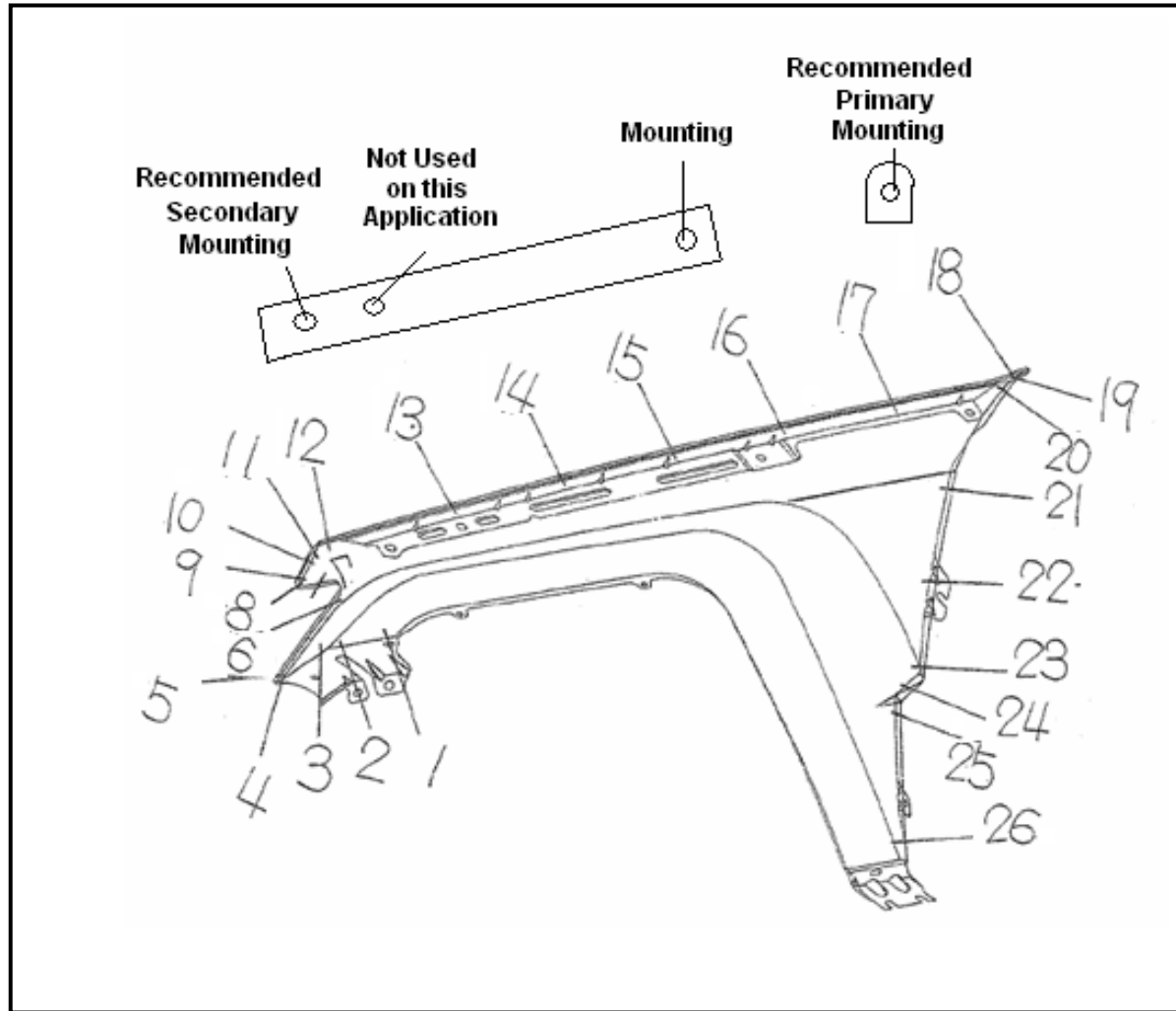
Date Part(s) Received:	2 December 2005
Testing Date:	13 December 2005

CONCLUSION:		
Test Fit Result:	<input checked="" type="checkbox"/> Pass	<input type="checkbox"/> Fail
Fit:	<input checked="" type="checkbox"/> Pass	<input type="checkbox"/> Fail
Appearance:	<input checked="" type="checkbox"/> Pass	<input type="checkbox"/> Fail
Note: MFR Part 1 to be returned to the manufacturer.		

Date: 13 December 2005
Manufacturer Part #: JPGC05FL1
Car Company
Service (CCS) Part #: 55394451AB

Report Number: JPGC05FL1/VTF B
Manufacturer: Gordon
Part Application: Jeep Grand Cherokee 2005

Vehicle Test Fit Dimensional Diagram



Date: 13 December 2005
Manufacturer Part #: JPGC05FL1
Car Company
Service (CCS) Part #: 55394451AB

Report Number: JPGC05FL1/VTF B
Manufacturer: Gordon
Part Application: Jeep Grand Cherokee 2005

Vehicle Test Fit Dimensional Results

GAP	1	2	3	4	5	6	7	8	9	10	11	12	13	14	15	16	17	18	19	20	21	22	23	24
CCO Part	/	/	/	/	/	/	/	/	/	/	1.8	3.4	3.6	3.9	3.9	3.9	3.6	/	3.4	3.7	3.9	3.8	3.7	4.6
CCS Part 1	/	/	/	/	/	/	/	/	/	/	2.1	3.9	3.5	3.4	3.5	3.2	2.9	/	3.4	4.9	4.7	4.0	3.4	5.3
Mfr. Part 1	/	/	/	/	/	/	/	/	/	/	2.1	3.9	3.1	3.2	3.1	3.0	3.0	/	4.2	4.8	4.7	4.5	3.7	5.1
Mfr. Part 2	/	/	/	/	/	/	/	/	/	/	2.1	3.8	3.2	3.4	3.8	3.7	3.5	/	4.6	5.1	5.3	5.3	4.5	5.4

Flush	1	2	3	4	5	6	7	8	9	10	11	12	13	14	15	16	17	18	19	20	21	22	23	24
CCO Part	/	/	/	/	/	/	/	/	/	/	0.8	0	-0.7	-0.6	-0.6	0.9	0	/	0.3	-0.6	-0.1	0.2	1.0	2.1
CCS Part 1	/	/	/	/	/	/	/	/	/	/	0.5	-0.7	-1.2	-0.9	-0.2	0.8	0.3	/	0.7	0.5	0.2	0.3	1.1	2.6
Mfr. Part 1	/	/	/	/	/	/	/	/	/	/	1.2	-0.6	-1.4	-1.0	-0.7	1.0	0.4	/	1.4	0	-0.4	0.4	1.3	2.3
Mfr. Part 2	/	/	/	/	/	/	/	/	/	/	1.0	-0.8	-1.4	-1.1	-0.3	1.1	0.2	/	0.9	0.4	0.4	0.4	1.4	2.1

/ = Due to the fit of the test part against the adjacent part(s), a flush and/or gap measurement could not be taken at this point.

Date: 13 December 2005
Manufacturer Part #: JPGC05FL1
Car Company
Service (CCS) Part #: 55394451AB

Report Number: JPGC05FL1/VTF B
Manufacturer: Gordon
Part Application: Jeep Grand Cherokee 2005

Vehicle Test Fit Dimensional Results

GAP	25	26	27	28	29	30	31	32	33	34	35	36	37	38	39	40	41	42	43	44	45	46	47	48	
CCO Part	3.9	3.9																							
CCS Part 1	3.9	2.9																							
Mfr. Part 1	3.7	3.2																							
Mfr. Part 2	4.6	4.0																							

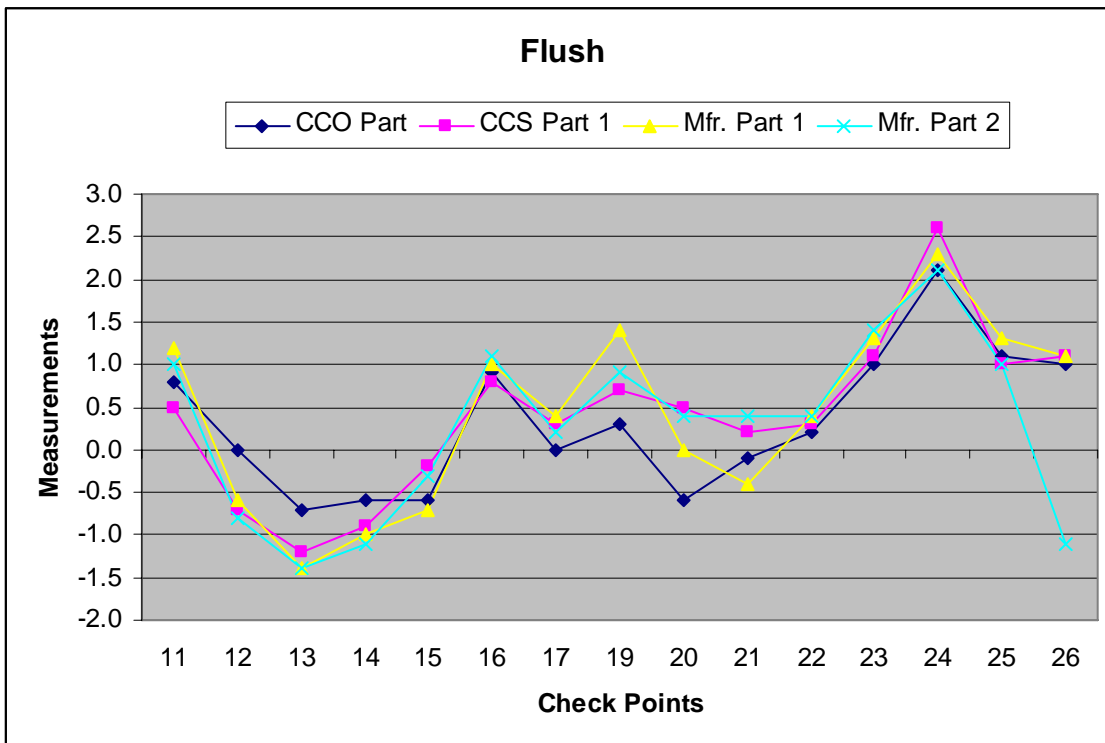
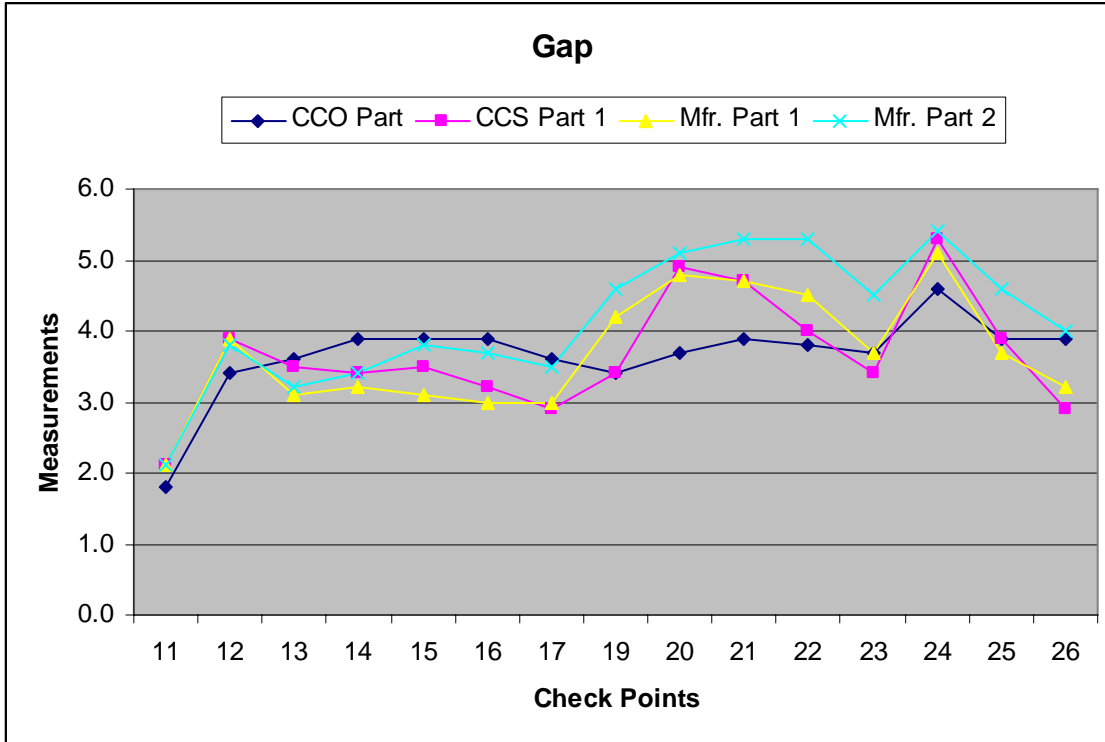
Flush	25	26	27	28	29	30	31	32	33	34	35	36	37	38	39	40	41	42	43	44	45	46	47	48	
CCO Part	1.1	1.0																							
CCS Part 1	1.0	1.1																							
Mfr. Part 1	1.3	1.1																							
Mfr. Part 2	1.0	-1.1																							

/ = Due to the fit of the test part against the adjacent part(s), a flush and/or gap measurement could not be taken at this point.

Date: 13 December 2005
Manufacturer Part #: JPGC05FL1
Car Company:
Service (CCS) Part #: 55394451AB

Report Number: JPGC05FL1/VTF B
Manufacturer: Gordon
Part Application: Jeep Grand Cherokee 2005

Vehicle Test Fit Dimensional Results



Date: 13 December 2005 **Report Number:** JPGC05FL1/VTF B
Manufacturer Part #: JPGC05FL1 **Manufacturer:** Gordon
Car Company
Service (CCS) Part #: 55394451AB **Part Application:** Jeep Grand Cherokee 2005

Car Company Original (CCO) Part Fit Results NPA VTF B

CAR COMPANY ORIGINAL (CCO) PART

VIN# 1J4GR48K85C6 - - - - -

- Fit - Pass**
 Fit - Fail

Date: 13 December 2005
 Manufacturer Part #: JPGC05FL1
 Car Company
 Service (CCS) Part #: 55394451AB

Report Number: JPGC05FL1/VTF B
 Manufacturer: Gordon
 Part Application: Jeep Grand Cherokee 2005

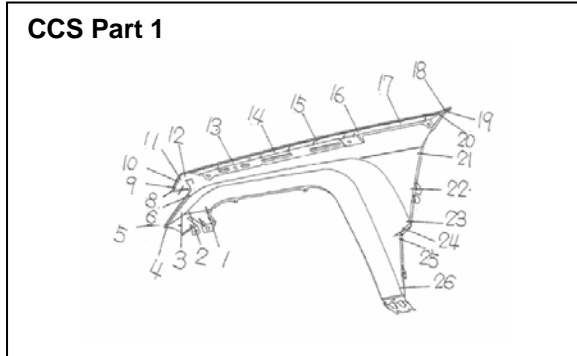
Car Company Service (CCS) Part Fit Results and Appearance Inspection NPA VTF B

CCS PART 1

Lot #: 1/17/05

Part Fit Results

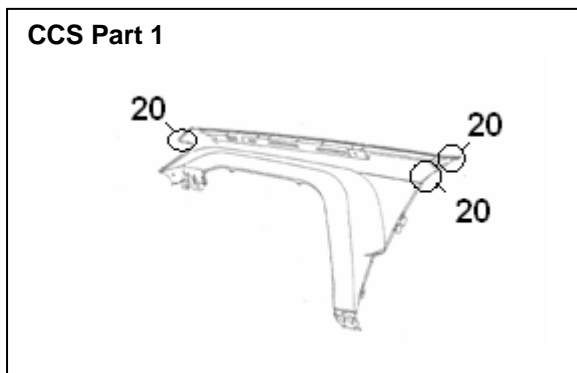
Pass Fail



- ◆ Style line between Points 19 and 20, 20 and 21, 24 and 25 are too high to door style lines.

Appearance Inspection

Pass Fail



Shipping Damage Observed (SD): Yes No

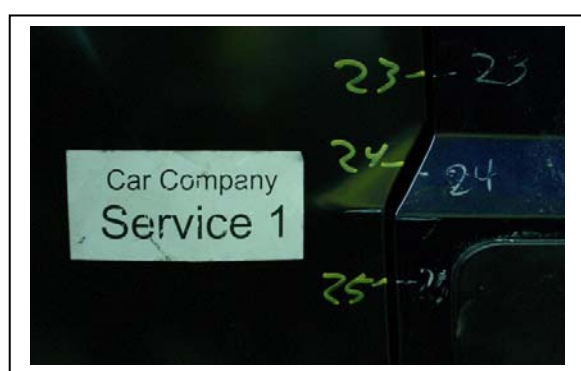
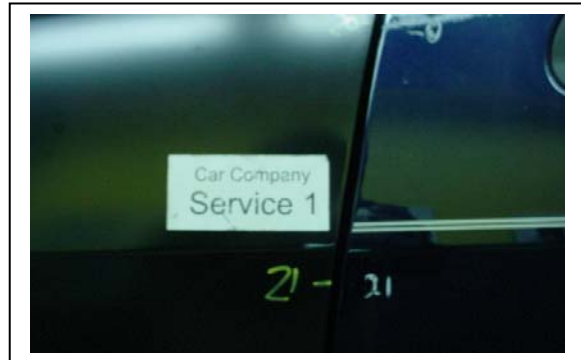
Problem

- | | |
|---|--|
| <ol style="list-style-type: none"> 1. Adhesive 2. Burrs 3. Chips 4. Corner Radius 5. Dents or Bumps 6. Dirt or Foreign Matter 7. Excess Material 8. Grind Marks 9. Metal Fold Lines 10. Non-Uniform Coating Coverage 11. Non-Uniform Trimming 12. Orange Peel | <ol style="list-style-type: none"> 13. Pits 14. Rinse Residue 15. Rolled Edges 16. Rough Surfaces 17. Scratches or Gouges 18. Tool Marks 19. Underside Metal Folds 20. Waviness/Distortion/Ripples 21. Weld Burns or Missing Welds 22. Wet Mar |
|---|--|

Date: 13 December 2005
Manufacturer Part #: JPGC05FL1
Car Company
Service (CCS) Part #: 55394451AB

Report Number: JPGC05FL1/VTF B
Manufacturer: Gordon
Part Application: Jeep Grand Cherokee 2005

Car Company Service (CCS) Part 1 Photos



Date: 13 December 2005
Manufacturer Part #: JPGC05FL1
Car Company
Service (CCS) Part #: 55394451AB

Report Number: JPGC05FL1/VTF B
Manufacturer: Gordon
Part Application: Jeep Grand Cherokee 2005

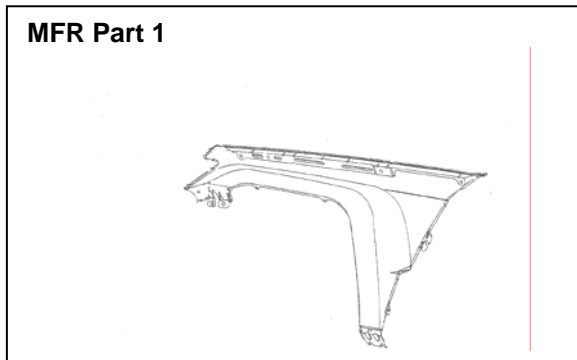
Manufacturer Part Fit Results and Appearance Inspection NPA VTF B

MFR PART 1

Lot #:

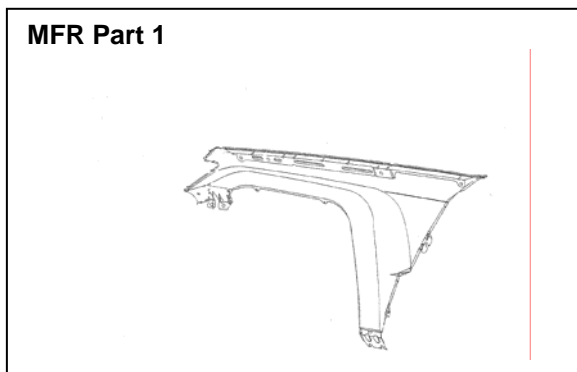
Part Fit Results

Pass Fail



Appearance Inspection

Pass Fail



Shipping Damage Observed (SD): Yes No

Problem

- | | |
|----------------------------------|---------------------------------|
| 1. Adhesive | 13. Pits |
| 2. Burrs | 14. Rinse Residue |
| 3. Chips | 15. Rolled Edges |
| 4. Corner Radius | 16. Rough Surfaces |
| 5. Dents or Bumps | 17. Scratches or Gouges |
| 6. Dirt or Foreign Matter | 18. Tool Marks |
| 7. Excess Material | 19. Underside Metal Folds |
| 8. Grind Marks | 20. Waviness/Distortion/Ripples |
| 9. Metal Fold Lines | 21. Weld Burns or Missing Welds |
| 10. Non-Uniform Coating Coverage | 22. Wet Mar |
| 11. Non-Uniform Trimming | |
| 12. Orange Peel | |

Date: 13 December 2005
Manufacturer Part #: JPGC05FL1
Car Company
Service (CCS) Part #: 55394451AB

Report Number: JPGC05FL1/VTF B
Manufacturer: Gordon
Part Application: Jeep Grand Cherokee 2005

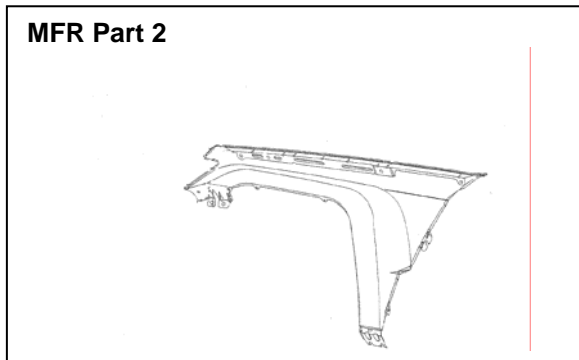
Manufacturer Part Fit Results and Appearance Inspection NPA VTF B

MFR PART 2

Lot #:

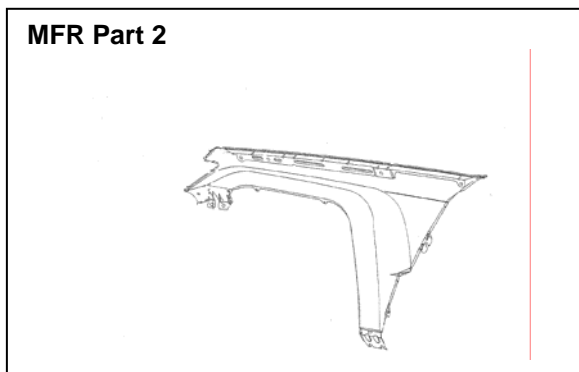
Part Fit Results

Pass Fail



Appearance Inspection

Pass Fail



Shipping Damage Observed (SD): Yes No

Problem

- | | |
|----------------------------------|---------------------------------|
| 1. Adhesive | 13. Pits |
| 2. Burrs | 14. Rinse Residue |
| 3. Chips | 15. Rolled Edges |
| 4. Corner Radius | 16. Rough Surfaces |
| 5. Dents or Bumps | 17. Scratches or Gouges |
| 6. Dirt or Foreign Matter | 18. Tool Marks |
| 7. Excess Material | 19. Underside Metal Folds |
| 8. Grind Marks | 20. Waviness/Distortion/Ripples |
| 9. Metal Fold Lines | 21. Weld Burns or Missing Welds |
| 10. Non-Uniform Coating Coverage | 22. Wet Mar |
| 11. Non-Uniform Trimming | |
| 12. Orange Peel | |

Date: 13 December 2005
Manufacturer Part #: JPGC05FL1
Car Company
Service (CCS) Part #: 55394451AB

Report Number: JPGC05FL1/VTF B
Manufacturer: Gordon
Part Application: Jeep Grand Cherokee 2005

Manufacturer Part Packaging Inspection

Packaging: Correct Incorrect N/A

Date: 13 December 2005
Manufacturer Part #: JPGC05FL1
Car Company
Service (CCS) Part #: 55394451AB

Report Number: JPGC05FL1/VTF B
Manufacturer: Gordon
Part Application: Jeep Grand Cherokee 2005

VTF Photos



Date:	13 December 2005	Report Number:	JPGC05FL1/VTF B
Manufacturer Part #:	JPGC05FL1	Manufacturer:	Gordon
Car Company			
Service (CCS) Part #:	55394451AB	Part Application:	Jeep Grand Cherokee 2005

Appearance Inspection Criteria

Adhesive: Missing, lack of bond or adhesive causing distortion to the Class "A" surface.

Burrs: Sharp teeth-like protrusions at the edge of the part.

Chips: Small areas where the EDP coat is missing, usually due to damage.

Corner Radius: Rounded corners that do not match the CCS Part; corners lacking material creating a hole; sharp corners resulting from excess material or poor grinding operations. Opposite corners having differently shaped radii.

Dents or Bumps: Depression or protrusions on the Class "A" surface that can be seen or felt with the back of the fingernail.

Dirt or Foreign Matter: Small particles in the EDP coat Class "A" surface that can be felt with the back of the fingernail.

Excess Material: Extra material on the part that is not seen on the CCS Part which may affect the part fit to the vehicle.

Grind Marks: Cuts in the Class "A" surface that are present after EDP which can be felt with the back of the fingernail.

Metal Fold Lines: Visible fold line on the Class "A" surface caused by crimp operation.

Non-Uniform Coating Coverage: Inconsistencies in the EDP coating such as blisters, missing or thin EDP, or drip marks that can be felt with the back of the fingernail.

Non-Uniform Trimming: Trimming inconsistencies on the Class "A" surface

Orange Peel: Rippled or wavy EDP coating on the Class "A" surface that can be felt with the back of the fingernail.

Pits: Small porous holes in the EDP coat on the Class "A" surface.

Rinse Residue: Visually detected streaking marks or discoloration left after the EDP process.

Rolled Edges: Upward bulge along the crimped edge of the part.

Rough Surfaces: Inconsistencies on the Class "A" surface that can be seen or felt with the back of the fingernail i.e. poor EDP, surface feels gritty.

Scratches or Gouges: Marks on the Class "A" surface that can be felt with the back of the fingernail. Usually caused by damage from handling or debris in the stamping process.

Tool Marks: Markings left from the tool when it draws or shapes the material into the part.

Underside Metal Folds: Edges and corners not crimped in the same manner as the CCS Part. This applies to Class "B" and "C" surfaces on the part or the underside of parts.

Waviness / Distortion / Ripples: Variations on the Class "A" surface and formed edges.

Weld Burns or Missing Welds: Welds that burn through or distort the Class "A" surface. Also welds that are missing.

Wet Mar: Smearred EDP coat due to packaging prior to coat being fully dry or cured.

Date: 13 December 2005 **Report Number:** JPGC05FL1/VTF B
Manufacturer Part #: JPGC05FL1 **Manufacturer:** Gordon
Car Company
Service (CCS) Part #: 55394451AB **Part Application:** Jeep Grand Cherokee 2005

TERMS AND CONDITIONS

The following terms and conditions apply to all work performed by Intertek ETL ENTELA (Intertek) and supercedes and/or replaces terms and conditions of Client's purchase order unless specifically exempted in writing by an officer of Intertek.

1. Intertek represents to the Client that testing is done in accordance with standard procedures as applicable and that reported test results are accurate within generally accepted commercial ranges of accuracy, unless a specific measure of greater accuracy has been agreed to in writing by Intertek and the Client.
2. Intertek reports apply only to the specific sample(s) tested under stated test conditions and test results are not necessarily indicative of the qualities of apparently identical or similar test or operating conditions. Intertek shall have no liability for any deductions, inferences or generalizations drawn by the Client or others from Intertek reports.
3. When Intertek performs services, its work and reports are not governed by the Uniform Commercial Code. Except as stated in Paragraph 1, Intertek disclaims all warrants of merchantability or fitness for a particular purpose.
4. The Client shall not advertise or publish the name, the seal or servicemark, reports, test results, documentation or procedures of Intertek without written authorization from Intertek. Any test reports provided to Client by Intertek shall not be reproduced *except in full* without the approval of Intertek. The Client's actual or threatened failure to abide by this Paragraph 4 may result in legal action by Intertek for injunctive and other relief.
5. Payment for the services rendered is the obligation of the Client issuing the purchase order or accepting the proposal. The obligation is not contingent on any specific result from Intertek's services and may not be assigned without the written permission of Intertek.
6. If services are to be supplied to a Client who has not established credit with Intertek, or in connection with a legal action, a retainer equal to the estimated cost is required with the order, which retainer may be applied at Intertek's option to its final billings. The minimum retainer required for services to be performed in connection with a legal action is \$1,000.
7. If the service to be performed requires more than one (1) month for completion, Intertek will make monthly billings of the approximate percentage of the work completed each month, supplying with the interim invoice a progress report showing accomplishments to date. Terms of all invoices shall be net 30 days upon receipt of invoice.
8. If the Client desires forensic testing services, the Client must mark each test sample and supporting documents and the test authorization form conspicuously as "LEGAL". Unless otherwise indicated in writing, prices quoted or charged by Intertek do not include charges for any court appearance, records retrieval/storage, expert witness testimony, deposition, or affidavit, or preparation thereof, in connection with forensic testing services. Such charges will be computed at Intertek's then prevailing hourly rates, plus expenses. All such charges must be prepaid by the Client prior to such appearance, testimony, deposition or affidavit and, where required by law, the Client at the Client's expense must obtain advance court approval of charges.
9. In the event that Intertek, as a result of an order or subpoena issued by a court, is called upon to produce or testify in respect to a report, it will advise the Client of the fact and the time and place of the scheduled hearing, if reasonable advance notice is given to Intertek. If the Client has any objections to Intertek complying with such order or subpoena, it will be the Client's obligation to present such objections to the court at or prior to the time specified in such order or subpoena, and to give timely notice to Intertek of the results.
10. Sample(s) will be destroyed thirty (30) days after the date of the final report, unless the Client indicates otherwise in writing before the expiration of said 30-day period. *Tested samples shall be returned at Client's expense including return charges and cost of insurance against risk of loss or damage of goods.*
11. Prices quoted by Intertek are subject to change if not accepted by the client within thirty (30) days, or if the work involved is not commenced within forty-five (45) days of such acceptance through no fault of Intertek.
12. Intertek's liability is limited as follows:
 - a.) The Client agrees to limit Intertek's liability arising from Intertek's professional activity, errors, or omissions, such that the total aggregate liability of Intertek shall not exceed Intertek's total fee for services rendered on the project in question, except in the case of a finding of gross negligence or willful misconduct on the part of Intertek by a court of competent jurisdiction
 - b.) Intertek shall be discharged from all liability to the Client for all claims for loss, damage, or expense unless a claim is made within three (3) months of the date at which damage, defect or alleged non-performance became apparent to the Client, and the process of law served no later than two (2) years from the provision of services by Intertek.
 - c.) Intertek shall not be liable to Client for any consequential damages incurred by the Client due to the fault of Intertek, regardless of the nature of this fault, whether it was committed by Intertek, its employees, agents, or subcontractors. Consequential damages include, but are not limited to, loss of use and loss of profit.
 - d.) The Client agrees to extend any and all limitations, indemnifications, and waivers provided by the Client to Intertek and to those individuals and organizations Intertek retains for execution of work. These shall be deemed to include but not necessarily limited to Intertek's officers and employees and their heirs and assigns, as well as Intertek's agents, subcontractors, and their officers, employees, heirs and assigns.
 - e.) Client acknowledges that testing, including sample preparation and transportation, may damage or destroy Client's property. Client agrees to hold Intertek harmless from any and all responsibility for such alteration.
 - f.) The Client agrees Intertek shall not be responsible for any injuries to the Client representatives while attending to or observing testing at Intertek's facility. If testing takes place at the Client's facility, Client agrees that Intertek will not operate and shall not be responsible for any of Client's equipment and that although Intertek agrees to abide by Client's safety procedures, Intertek shall not be responsible for injury to any of Client's personnel.
13. Any order or agreement for testing services by Intertek may be terminated in writing by the Client before completion thereof with Intertek's written consent in which event the Client shall pay to Intertek an amount to be determined by Intertek as being sufficient to reimburse Intertek for all direct and indirect costs and expenses, including (but not limited to) supplies, materials, labor, and overhead incurred with respect to the order or agreement through the date of termination.
14. Intertek shall not be liable for any failure or delay in performance which is caused in whole or in part by fire, flood, accident, riot, war, operation of law, government action, strikes or other labor disturbances, fuel shortages, or any other cause beyond the control of Intertek.
15. All contracts between Intertek and the Client, shall be deemed to be made in and governed by the laws of the State of Michigan.
16. Should Intertek be required to subcontract any testing or other services, the Client will be informed of such arrangement either verbally or in writing. Intertek shall have no liability for any deductions, inferences, or generalizations drawn by the Client or others from subcontractor's data.
17. It is the Client's responsibility to understand the procedures utilized in the testing process. Any action taken by a Client based on any consulting, recommendations, results, observations, conclusions, discussions, or data as provided by ENTELA, Inc. the sole responsibility of the Client.

Revised 8/31/04