
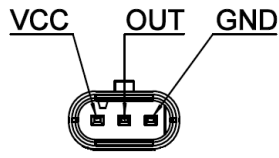
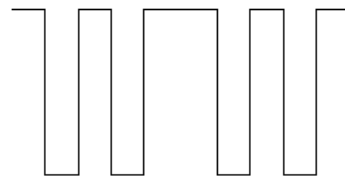
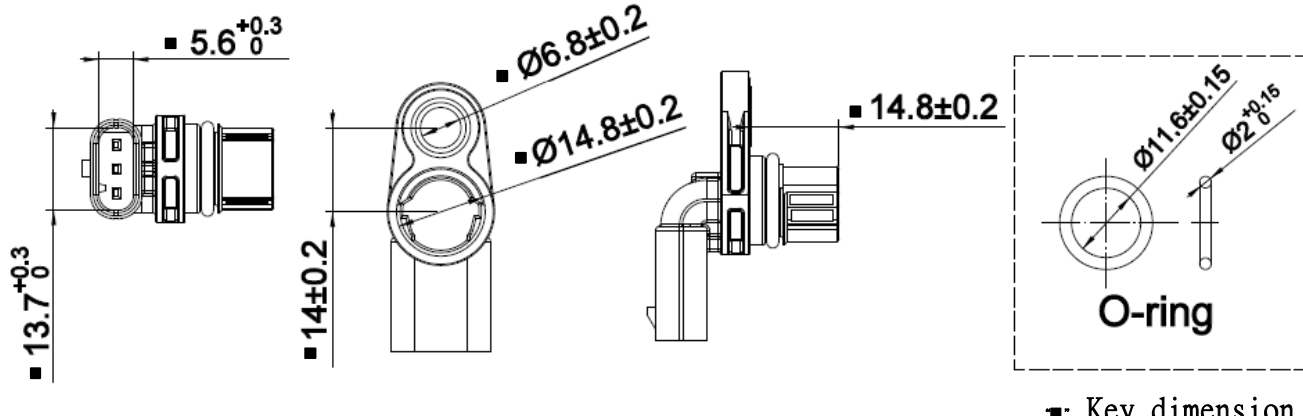


NAME	CS-E378 Camshaft Sensor	NO	CS-2-A-1011
-------------	--------------------------------	-----------	--------------------

Picture 	Plug 	Waveform  (Open Collector for 1KΩ)
---	---	--

Drawing and Dimension



■ Key dimension

TYPE : Hall Magnetic

Parameter	SYMBOLS	MIN.	TYP.	MAX.	UNITS
Resistance (25℃)	R	N/A	N/A	N/A	ohm
Inductance@1KHz	L	N/A	N/A	N/A	mH
Working Voltage	V	5	12	18	V
Detecting range	Air Gap	N/A	1	N/A	mm
Magnetic field direction SFS=South facing sensor NFS=North facing sensor		SFS	SFS	SFS	
Duty ratio(t1/T)	Duty	80	85	90	%
Temperature	To	-40	25	125	℃
Reference Teeth		N/A	2	N/A	
Output Voltage Low (600RPM,12V,1mm)	V _{OL}	-1	0	1	V
Output Voltage High (600RPM,12V,1mm)	V _{OH}	11	12	13	V

2021.09.02		1	汪芳波	王亮	黄鹏	MOBILETRON
Date of first edition	Date of revised edition	edition	Manuscript	Review	Approval	Sep.07.2021
						Release