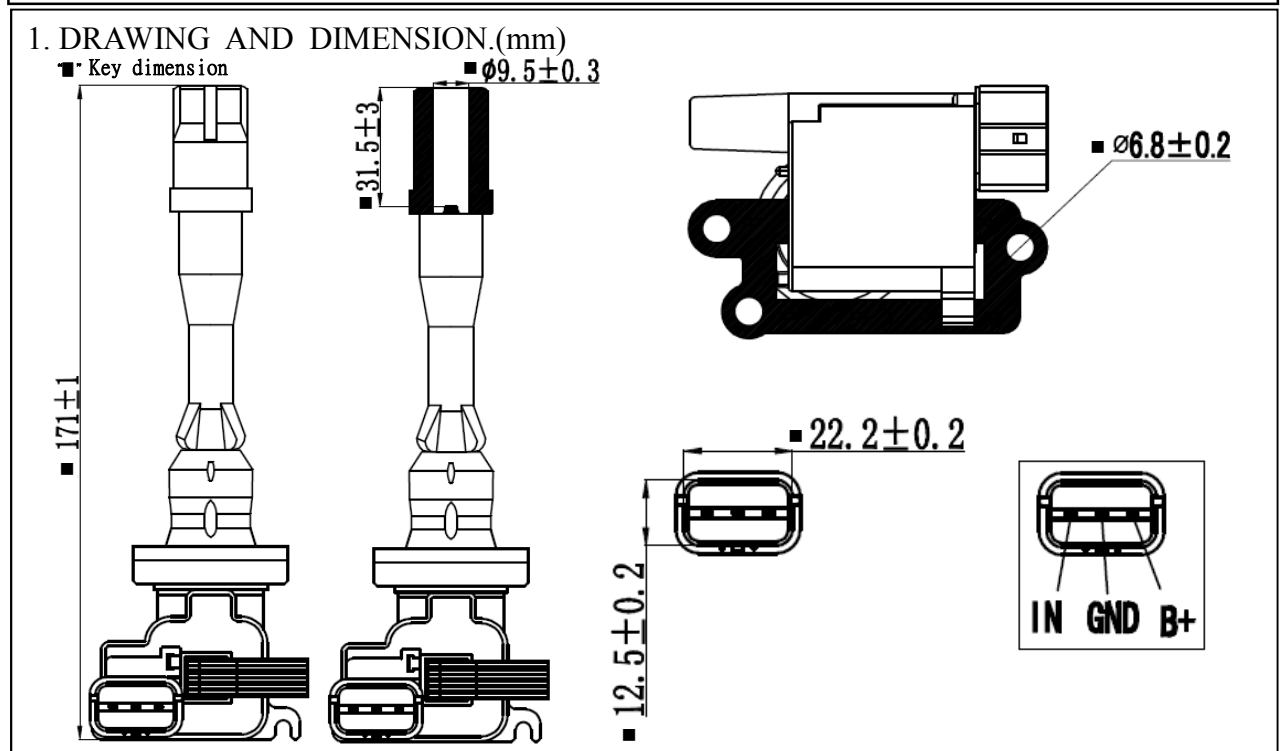
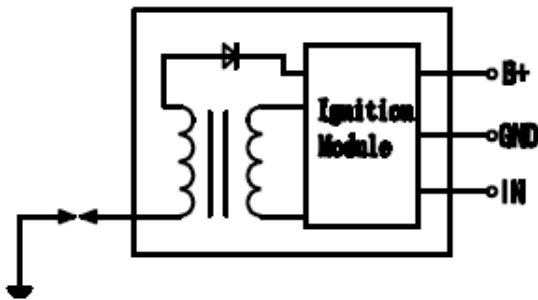


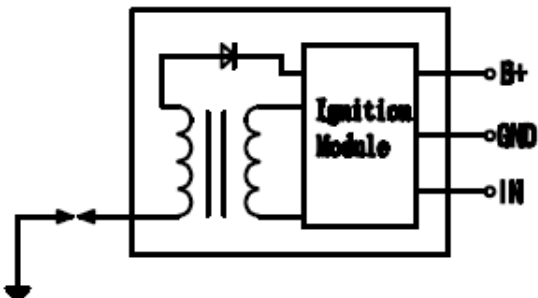
<b>NAME</b>	<b>CM-22 Electrical Specification</b>	<b>NO.</b>	<b>IC-1-1-1135-E</b>
-------------	---------------------------------------	------------	----------------------



2. CIRCUIT DIAGRAM



3.4 TEST CIRCUIT



3. ELECTRICAL PROPERTIES

3.1 DC RESISTANCE : AT  $t=25\pm 5^{\circ}\text{C}$

Primary Resistance : -----  
 Secondary Resistance :  $9.2\text{K}\Omega\pm 20\%$

3.2 INDUCTANCE : AT  $t=25\pm 5^{\circ}\text{C}$   $f=1\text{KHz}$

Primary Inductance : -----  
 Secondary Inductance :  $13.5\text{H}\pm 20\%$

3.3 OUTPUT VOLTAGE

AT  
 Input Voltage DC :  $14\pm 0.2\text{V}$   
 Frequency :  $50\pm 2\text{Hz}$   
 LOAD :  $25\text{PF}/1\text{M}\Omega$   
 Vout :  $\geq 19\text{KV}$   
 Dwell :  $2.5\text{ms}$

2021.01.09		1	魯企航	呂漢榮	黃鵬	MOBILETRON
Date of first edition	Date of revised edition	Edition	Manu-script	Review	Approval	Jan.13.2021
						Release