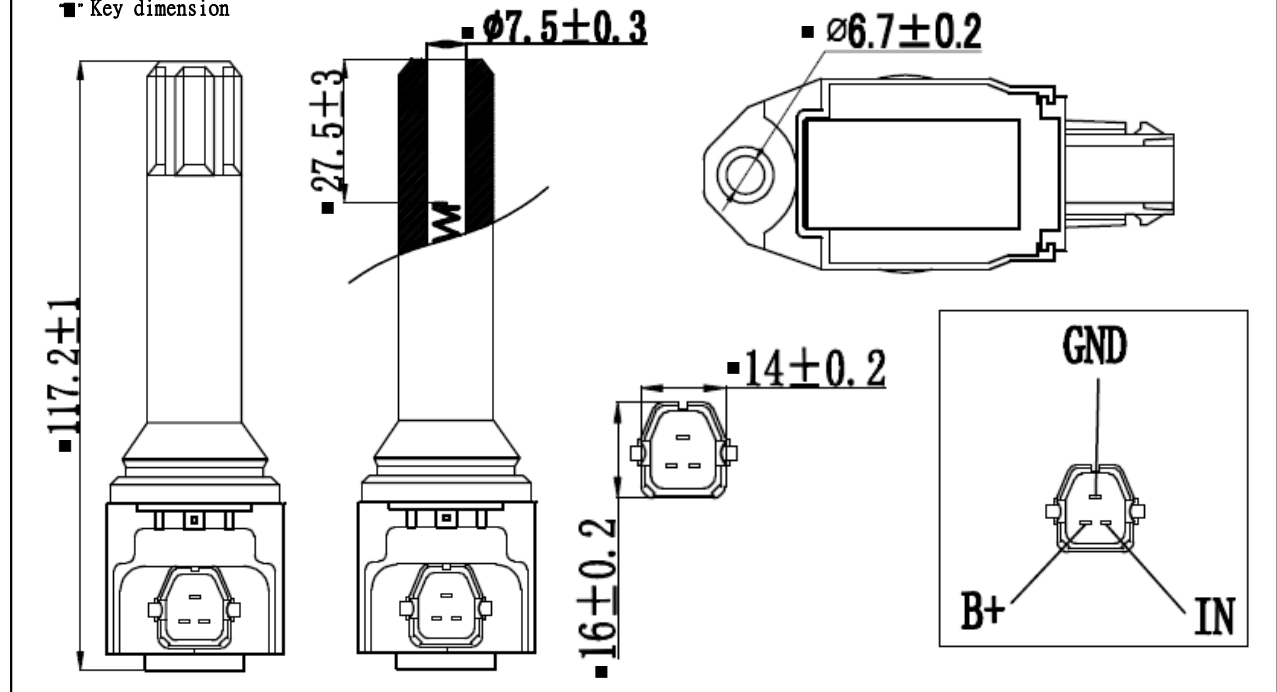


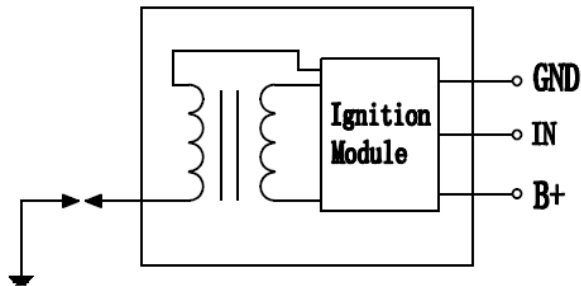
NAME	CJ-51 Electrical Specification	NO.	IC-1-1-1134-E
-------------	---------------------------------------	------------	----------------------

1. DRAWING AND DIMENSION.(mm)

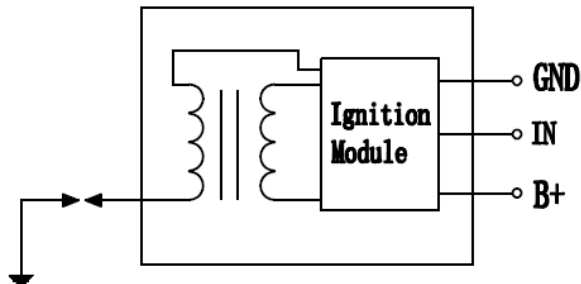
■ Key dimension



2. CIRCUIT DIAGRAM



3.4 TEST CIRCUIT



3. ELECTRICAL PROPERTIES

3.1 DC RESISTANCE : AT $t=25\pm 5^{\circ}\text{C}$

Primary Resistance : -----

Secondary Resistance : -----

3.2 INDUCTANCE : AT $t=25\pm 5^{\circ}\text{C}$ $f=1\text{KHz}$

Primary Inductance : -----

Secondary Inductance : -----

3.3 OUTPUT VOLTAGE

AT

Input Voltage DC : $14\pm 0.2\text{V}$

Frequency : $50\pm 2\text{Hz}$

LOAD : $25\text{PF}/1\text{M}\Omega$

Vout : $\geq 20\text{KV}$

Dwell : 1.9ms

2021.01.09		1	魯企航	呂漢榮	黃鵬	MOBILETRON
Date of first edition	Date of revised edition	Edition	Manu-script	Review	Approval	Jan.13.2021
						Release