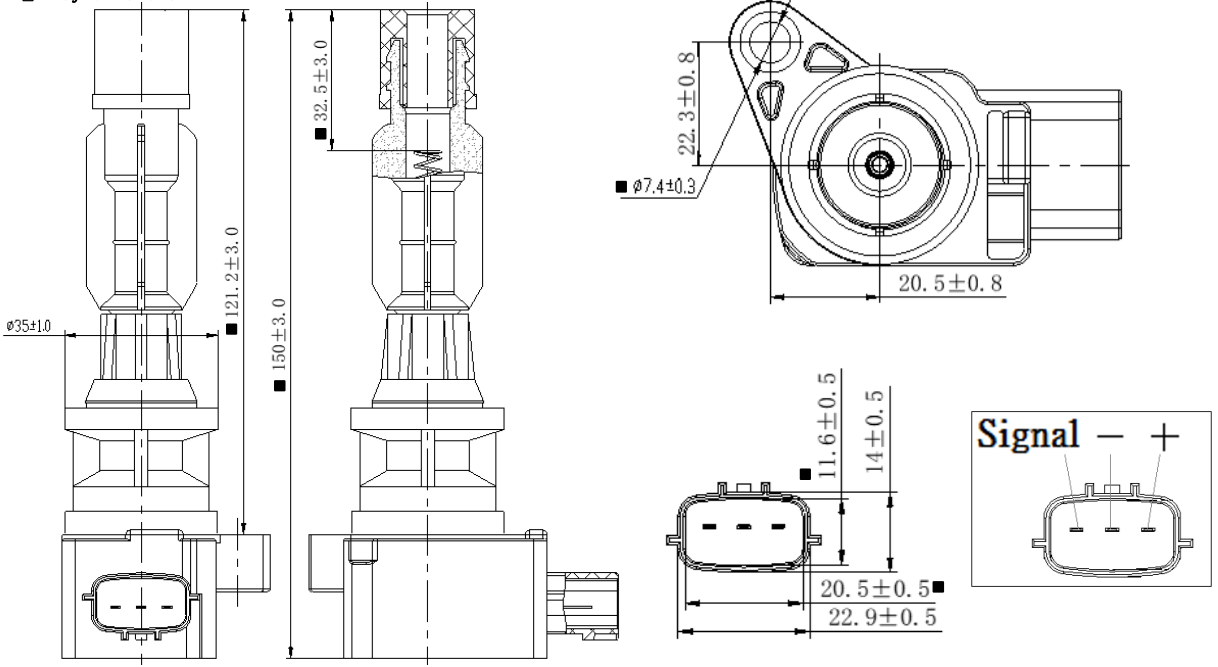


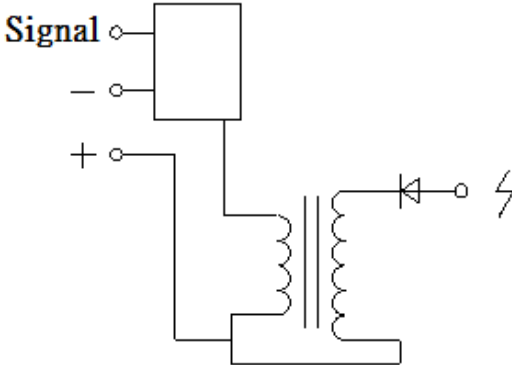
<b>NAME</b>	<b>CF-82 Electrical Specification</b>	<b>NO. IC-1-1-785-7</b>
-------------	---------------------------------------	-------------------------

**1. DRAWING AND DIMENSION.(mm)**

■ Key dimension



**2. CIRCUIT DIAGRAM**



**3. ELECTRICAL PROPERTIES**

**3.1 DC RESISTANCE : AT t=25±5°C**

Primary Resistance : -----  
 Secondary Resistance : -----

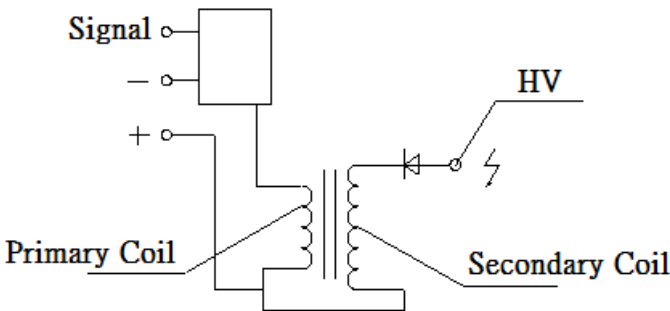
**3.2 INDUCTANCE : AT t=25±5°C f=1KHz**

Primary Inductance : -----  
 Secondary Inductance : -----

**3.3 OUTPUT VOLTAGE**

AT  
 Input Voltage DC : 13.5V  
 Frequency : 50Hz  
 LOAD : 50PF//1MΩ  
 Vout : ≥16KV  
 Dwell : 1.85ms

**3.4 TEST CIRCUIT**



2016.01.30	2021.04.08	2	吕汉荣	王亮	黄鹏	MOBILETRON
Date of first edition	Date of revised edition	Edition	Manu-script	Review	Approval	Apr.13.2021 Release