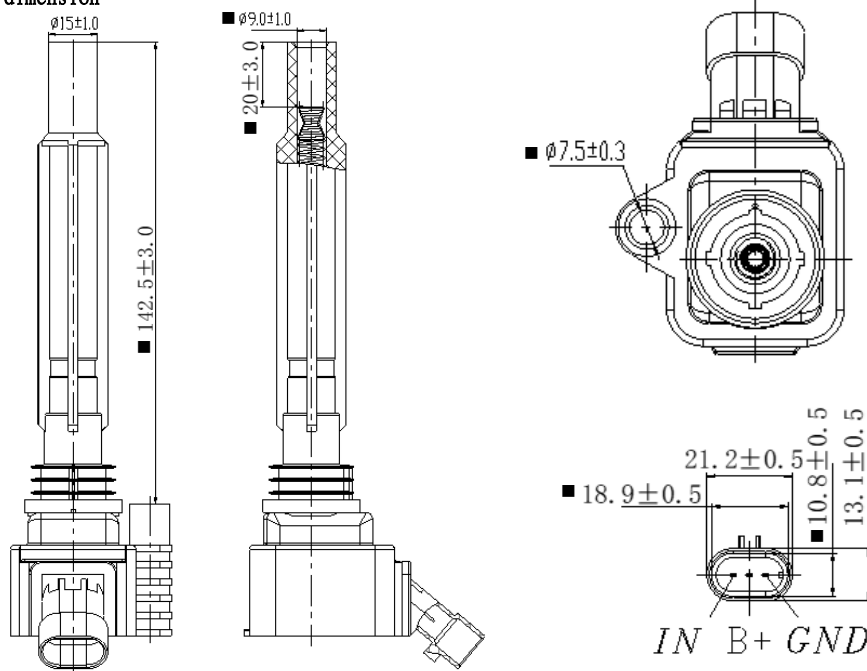


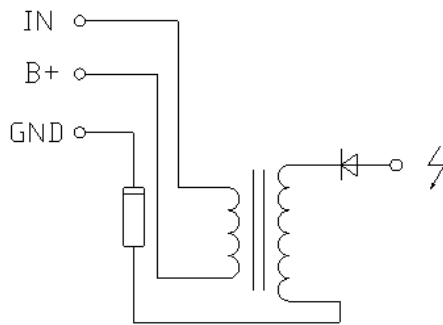
<b>NAME</b>	<b>CE-241 Electrical Specification</b>	<b>NO.</b>	<b>IC-1-1-1159-7</b>
-------------	--	------------	----------------------

1. DRAWING AND DIMENSION.(mm)

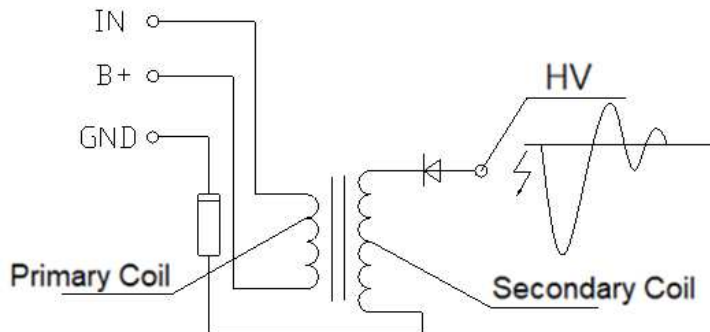
■ Key dimension



2. CIRCUIT DIAGRAM



3.4 TEST CIRCUIT



3. ELECTRICAL PROPERTIES

3.1 DC RESISTANCE : AT  $t=25 \pm 5^\circ\text{C}$

Primary Resistance :  $0.57\Omega \pm 15\%$

Secondary Resistance : -----

3.2 INDUCTANCE : AT  $t=25 \pm 5^\circ\text{C}$   $f=1\text{KHz}$

Primary Inductance :  $2.2\text{mH} \pm 15\%$

Secondary Inductance : -----

3.3 OUTPUT VOLTAGE

AT

Input Voltage DC :  $13.5\text{V}$

Frequency :  $50\text{Hz}$

LOAD :  $50\text{PF} // 1\text{M}\Omega$

Vout :  $\geq 17\text{KV}$

Dwell :  $2.9\text{ms}$

2021.04.23		1	魯企航	呂漢榮	黃鵬	MOBILETRON
Date of first edition	Date of revised edition	Edition	Manu-script	Review	Approval	Apr.28.2021
						Release