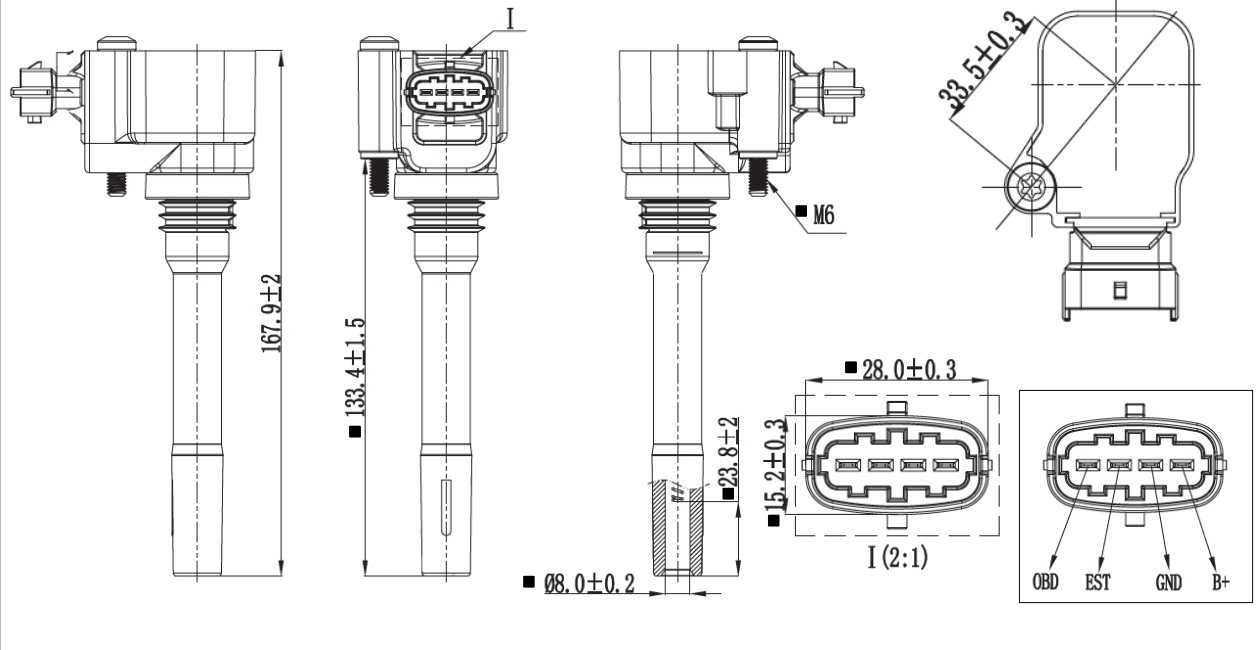


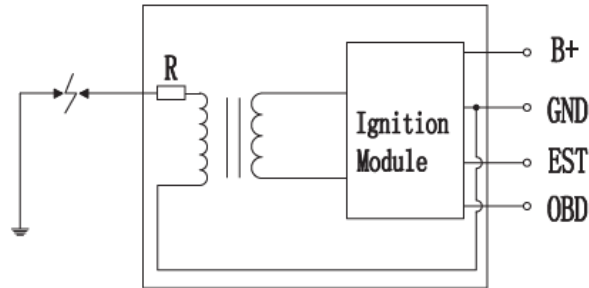
NAME	CE-239 Electrical Specification	NO.	IC-1-1-1154-1
-------------	--	------------	----------------------

1. DRAWING AND DIMENSION.(mm)

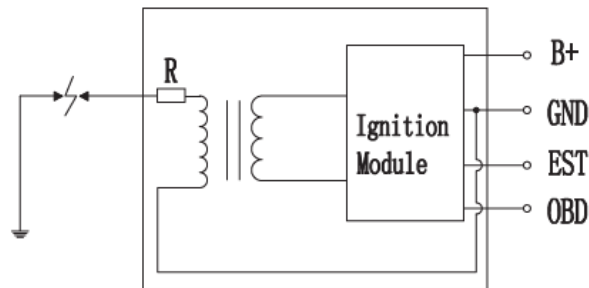
■ Key dimension



2. CIRCUIT DIAGRAM



3.4 TEST CIRCUIT



3. ELECTRICAL PROPERTIES

3.1 DC RESISTANCE : AT $t=25\pm5^{\circ}\text{C}$

Primary Resistance : -----
 Secondary Resistance : -----

3.2 INDUCTANCE : AT $t=25\pm5^{\circ}\text{C}$ $f=1\text{KHz}$

Primary Inductance : -----
 Secondary Inductance : -----

3.3 OUTPUT VOLTAGE

AT
 Input Voltage DC : 14V
 Frequency : $50\pm 2\text{Hz}$
 LOAD : 25PF//1M Ω
 Vout : $\geq 25\text{KV}$
 Dwell : 2.6ms

2021.03.02		1	魯企航	呂漢榮	黃鵬	MOBILETRON
Date of first edition	Date of revised edition	Edition	Manu-script	Review	Approval	Mar.05.2021
						Release