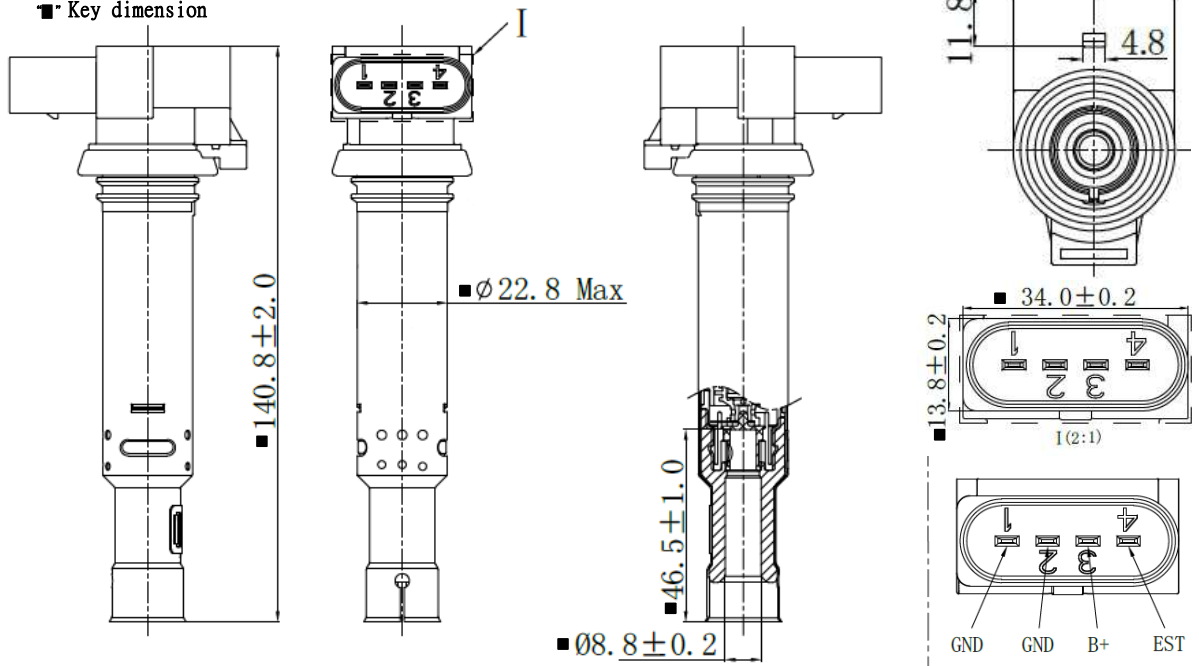


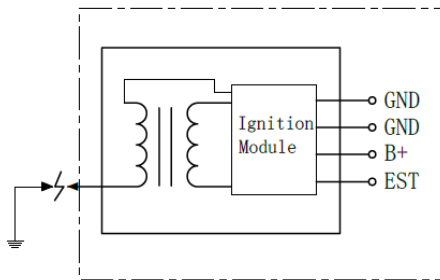
NAME	CE-237 Electrical Specification	NO.	IC-1-1-1155-1
-------------	--	------------	----------------------

1. DRAWING AND DIMENSION.(mm)

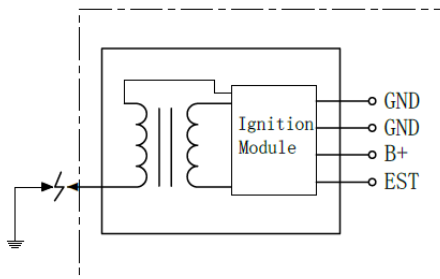
■ Key dimension



2. CIRCUIT DIAGRAM



3.4 TEST CIRCUIT



3. ELECTRICAL PROPERTIES

3.1 DC RESISTANCE : AT $t=25\pm 5^{\circ}\text{C}$

Primary Resistance : -----

Secondary Resistance : -----

3.2 INDUCTANCE : AT $t=25\pm 5^{\circ}\text{C}$ $f=1\text{KHz}$

Primary Inductance : -----

Secondary Inductance : -----

3.3 OUTPUT VOLTAGE

AT

Input Voltage DC : 14V

Frequency : $50\pm 1\text{Hz}$

LOAD : $25\text{PF} // 1\text{M}\Omega$

V_{out} : $\geq 21\text{KV}$

Dwell : 1.85ms

2021.03.15		1	魯企航	呂漢榮	黃鵬	MOBILETRON
Date of first edition	Date of revised edition	Edition	Manu-script	Review	Approval	Mar.18.2021
						Release