
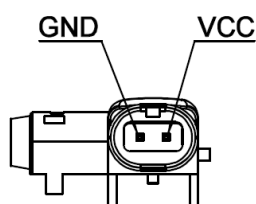
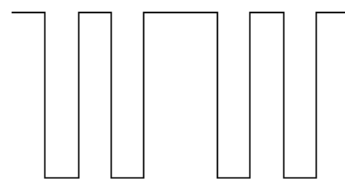
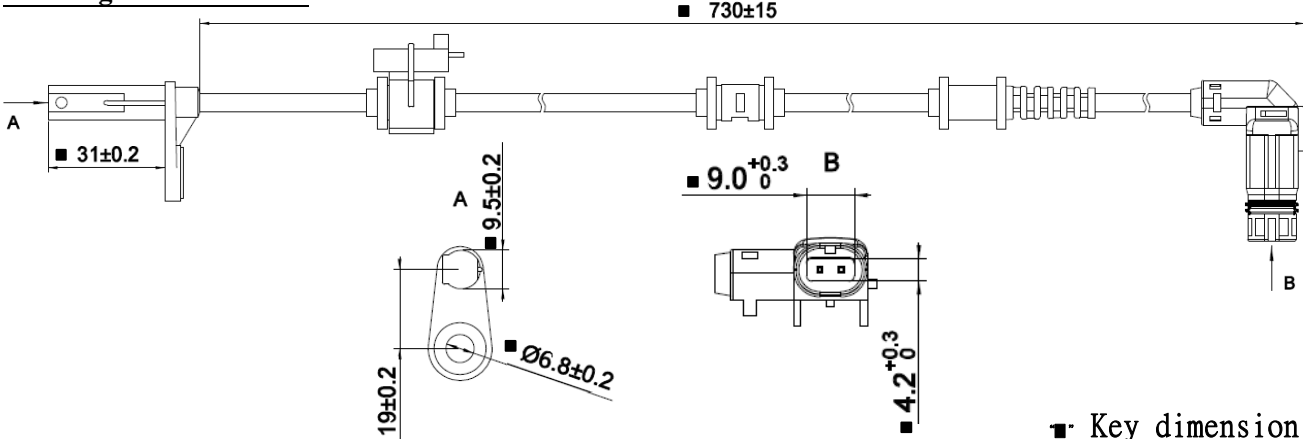


NAME	AB-US097 Electrical Specifications	NO	AB-2-4-1060
-------------	---	-----------	--------------------

Picture 	Plug 	Waveform  Out Voltage: $V_{OL} \leq 1V \leq V_{OH}$
---	---	---

Drawing and Dimension



■ Key dimension

TYPE : Hall Magnetic

Parameter	SYMBOLS	MIN.	TYP.	MAX.	UNITS
Resistance (25°C)	R	N/A	N/A	N/A	ohm
Inductance@1KHz	L	N/A	N/A	N/A	mH
Working Voltage	V	5	12	18	V
Detecting range	Air Gap	N/A	1	N/A	mm
Magnetic field direction SFS=South facing sensor NFS=North facing sensor		N/A	N/A	N/A	
Duty ratio(t1/T)	Duty	45	50	55	%
Temperature	To	-40	25	125	°C
Reference Teeth		N/A	58	N/A	
Output Voltage Low (600RPM,12V,1mm)	V_{OL}	0.3	0.6	0.9	V
Output Voltage High (600RPM,12V,1mm)	V_{OH}	1.1	1.4	1.7	V

2021.09.02		1	汪芳波	王亮	黄鹏	MOBILETRON
Date of first edition	Date of revised edition	edition	Manuscript	Review	Approval	Sep.07.2021
						Release