
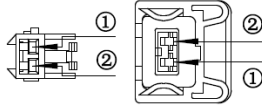
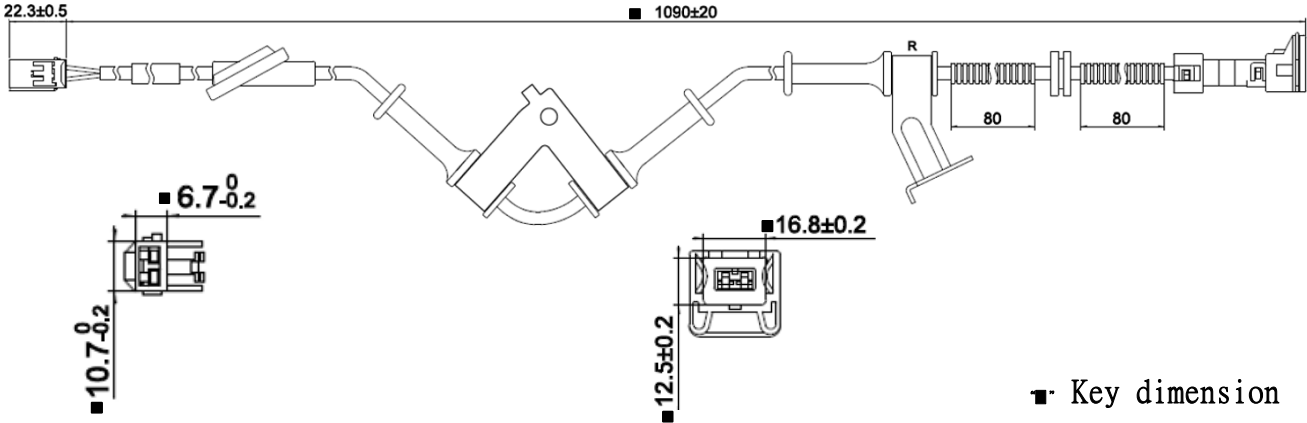


NAME	AB-KR105 Electrical Specifications	NO	AB-3-4-1051
-------------	---	-----------	--------------------

Picture 	Plug 	Waveform <p style="text-align: center; font-size: 2em;">N/A</p>				
	<table border="1"> <thead> <tr> <th>PIN</th> <th>FUNCTION</th> </tr> </thead> <tbody> <tr> <td>①</td> <td>White</td> </tr> <tr> <td>②</td> <td>Black</td> </tr> </tbody> </table>		PIN	FUNCTION	①	White
PIN	FUNCTION					
①	White					
②	Black					

Drawing and Dimension



■ Key dimension

TYPE : Hall Magnetic

Parameter	SYMBOLS	MIN.	TYP.	MAX.	UNITS
Resistance (25℃)	R	N/A	N/A	N/A	ohm
Inductance@1KHz	L	N/A	N/A	N/A	mH
Working Voltage	V	N/A	N/A	N/A	V
Detecting range	Air Gap	N/A	N/A	N/A	mm
Magnetic field direction SFS=South facing sensor NFS=North facing sensor		N/A	N/A	N/A	
Duty ratio(t1/T)	Duty	N/A	N/A	N/A	%
Temperature	To	-40	25	125	℃
Reference Teeth		N/A	N/A	N/A	
Output Voltage Low (600RPM,12V,1mm)	V _{OL}	N/A	N/A	N/A	V
Output Voltage High (600RPM,12V,1mm)	V _{OH}	N/A	N/A	N/A	V

2021.08.19		1	王亮	汪芳波	黄鹏	MOBILETRON
Date of first edition	Date of revised edition	edition	Manuscript	Review	Approval	Aug.24.2021
						Release