
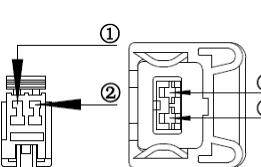
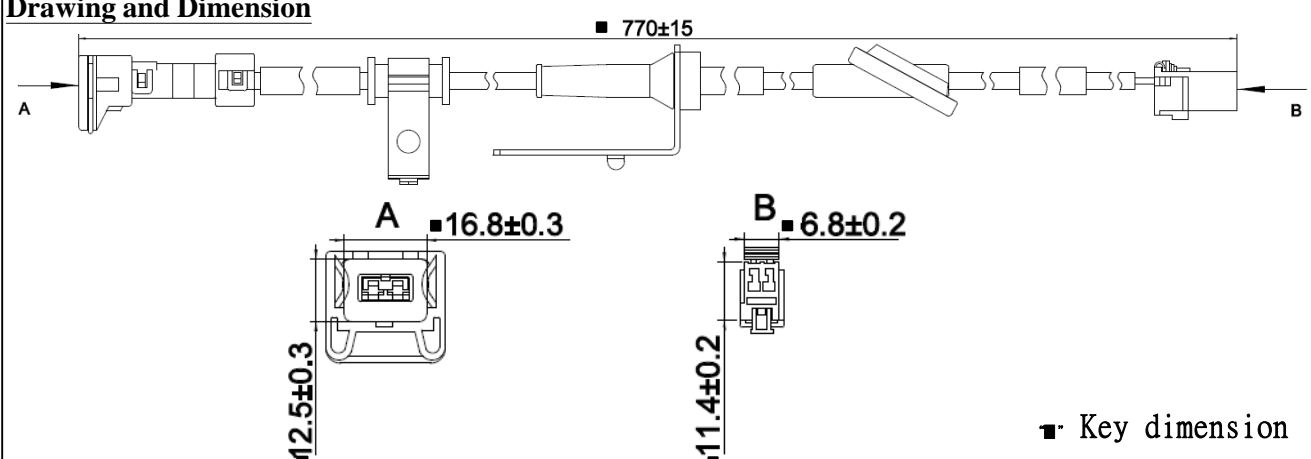


| | | | |
|-------------|---|-----------|--------------------|
| NAME | AB-KR102 Electrical Specifications | NO | AB-3-4-1026 |
|-------------|---|-----------|--------------------|

| Picture  | Plug  <table border="1" data-bbox="728 393 956 518"> <tr> <th>PIN</th> <th>FUNCTION</th> </tr> <tr> <td>①</td> <td>Brown</td> </tr> <tr> <td>②</td> <td>Black</td> </tr> </table> | PIN | FUNCTION | ① | Brown | ② | Black | Waveform <p style="text-align: center; font-size: 2em;">N/A</p> |
|---|---|-----|----------|---|-------|---|-------|---|
| PIN | FUNCTION | | | | | | | |
| ① | Brown | | | | | | | |
| ② | Black | | | | | | | |

Drawing and Dimension


■ Key dimension

TYPE : Hall Magnetic

| Parameter | SYMBOLS | MIN. | TYP. | MAX. | UNITS |
|--|-----------------|------|------|------|-------|
| Resistance (25°C) | R | N/A | N/A | N/A | ohm |
| Inductance@1KHz | L | N/A | N/A | N/A | mH |
| Working Voltage | V | N/A | N/A | N/A | V |
| Detecting range | Air Gap | N/A | N/A | N/A | mm |
| Magnetic field direction SFS=South facing sensor NFS=North facing sensor | | N/A | N/A | N/A | |
| Duty ratio(t1/T) | Duty | N/A | N/A | N/A | % |
| Temperature | To | -30 | 25 | 125 | °C |
| Reference Teeth | | N/A | N/A | N/A | |
| Output Voltage Low (600RPM,12V,1mm) | V _{OL} | N/A | N/A | N/A | V |
| Output Voltage High (600RPM,12V,1mm) | V _{OH} | N/A | N/A | N/A | V |

| | | | | | | |
|-----------------------|-------------------------|---------|------------|--------|----------|-------------|
| 2021.05.12 | | 1 | 王亮 | 呂漢榮 | 黃鵬 | MOBILETRON |
| Date of first edition | Date of revised edition | edition | Manuscript | Review | Approval | May.17.2021 |
| | | | | | | Release |