
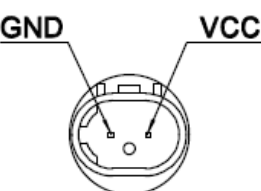
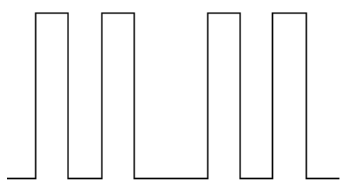
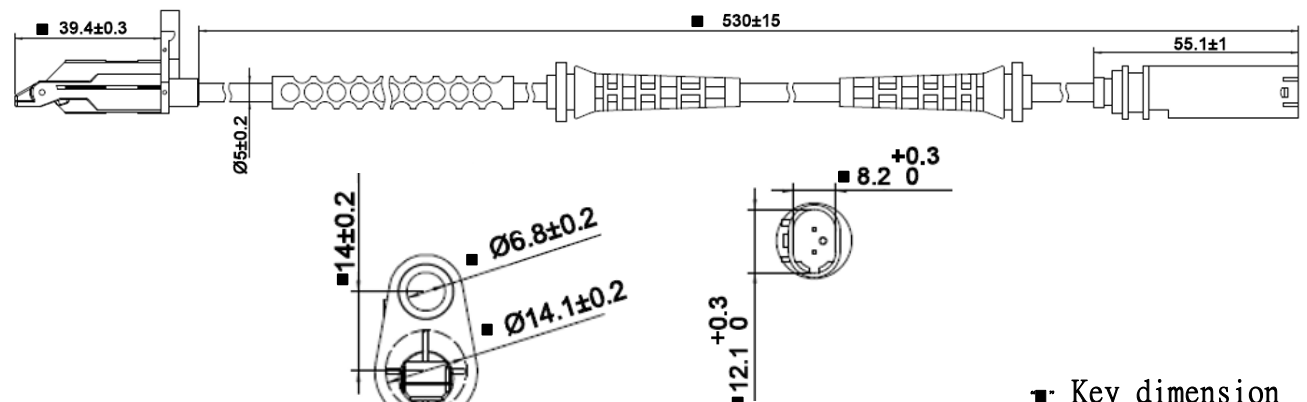


|             |   |           |                    |
|-------------|---|-----------|--------------------|
| <b>NAME</b> | <b>AB-EU612 Electrical Specifications</b> | <b>NO</b> | <b>AB-2-4-1018</b> |
|-------------|---|-----------|--------------------|

|   |   |   |
|---|---|---|
| <b>Picture</b><br> | <b>Plug</b><br> | <b>Waveform</b><br><br>Out Voltage: $V_{OL} \leq 1V \leq V_{OH}$ |
|---|---|---|

**Drawing and Dimension**  


■ Key dimension

TYPE : ■ Hall □ Magnetic

| Parameter  | SYMBOLS  | MIN. | TYP. | MAX. | UNITS |
|--|----------|------|------|------|-------|
| Resistance (25°C)  | R        | N/A  | N/A  | N/A  | ohm   |
| Inductance@1KHz  | L        | N/A  | N/A  | N/A  | mH    |
| Working Voltage  | V        | 5    | 12   | 18   | V     |
| Detecting range  | Air Gap  | N/A  | 1    | N/A  | mm    |
| Magnetic field direction<br>SFS=South facing sensor<br>NFS=North facing sensor |          | N/A  | N/A  | N/A  |       |
| Duty ratio(t1/T)   | Duty     | N/A  | N/A  | N/A  | %     |
| Temperature  | To       | -30  | 25   | 125  | °C    |
| Reference Teeth  |          | N/A  | 58   | N/A  |       |
| Output Voltage Low<br>(600RPM,12V,1mm)   | $V_{OL}$ | 0.3  | 0.6  | 0.9  | V     |
| Output Voltage High<br>(600RPM,12V,1mm)  | $V_{OH}$ | 2.6  | 2.9  | 3.2  | V     |

|                       |                         |         |            |        |          |                    |
|-----------------------|-------------------------|---------|------------|--------|----------|--------------------|
| 2020.12.25            |                         | 1       | 王亮         | 呂漢榮    | 黃鵬       | <b>MOBILETRON</b>  |
| Date of first edition | Date of revised edition | edition | Manuscript | Review | Approval | <b>Dec.30.2020</b> |
|                       |                         |         |            |        |          | <b>Release</b>     |