
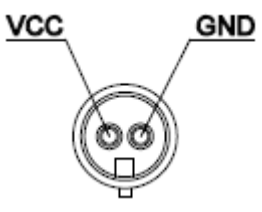
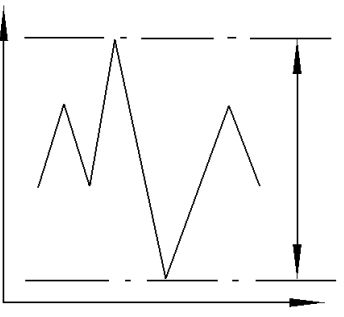
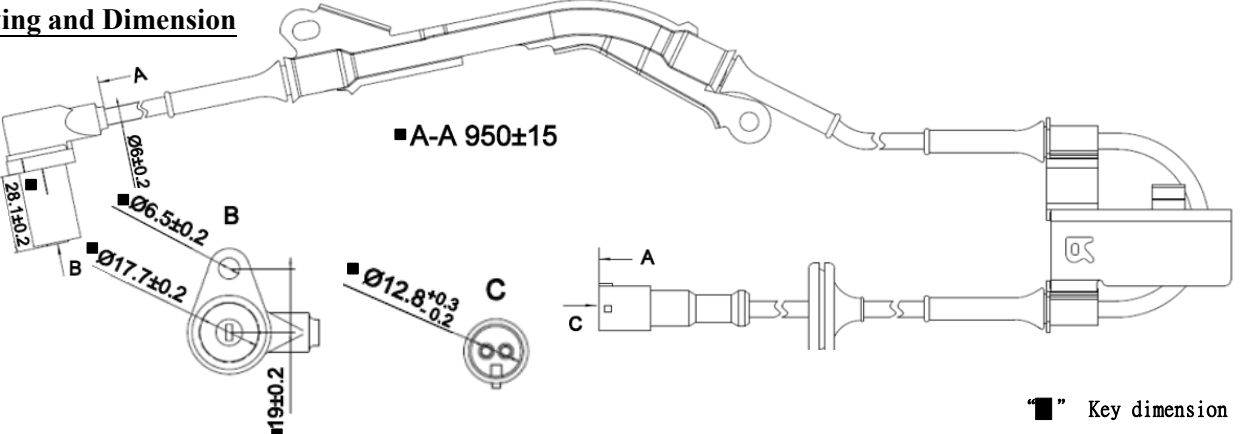


NAME	AB-EU606 Electrical Specifications	NO	AB-1-4-994
-------------	---	-----------	-------------------

Picture 	Plug 	Waveform 
---	---	--

Drawing and Dimension



■ " " Key dimension

TYPE : Hall Magnetic

Parameter	SYMBOLS	MIN.	TYP.	MAX.	UNITS
Resistance (25°C)	R	1360	1700	2040	ohm
Inductance@1KHz	L	960	1200	1440	mH
Working Voltage	V	N/A	N/A	N/A	V
Detecting range	Air Gap	N/A	1	N/A	mm
Magnetic field direction SFS=South facing sensor NFS=North facing sensor		NFS	NFS	NFS	
Duty ratio(t1/T)	Duty	N/A	N/A	N/A	%
Temperature	To	-30	25	125	°C
Reference Teeth		N/A	48	N/A	
Output Voltage (600RPM,1mm)	Vp-p	10.4	13	15.6	V

2020.10.16		1	呂漢榮	王亮	黃鵬	MOBILETRON
Date of first edition	Date of revised edition	edition	Manuscript	Review	Approval	Oct.21.2020
						Release