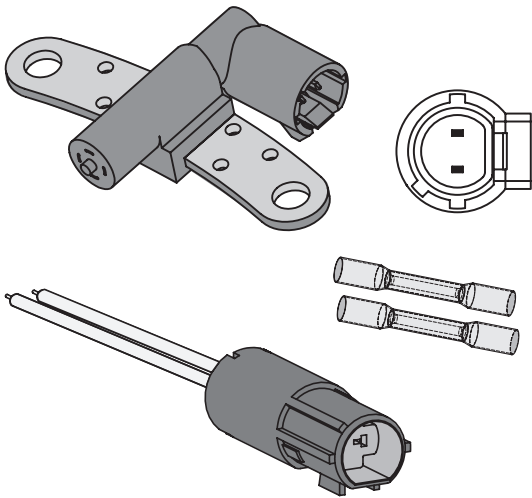
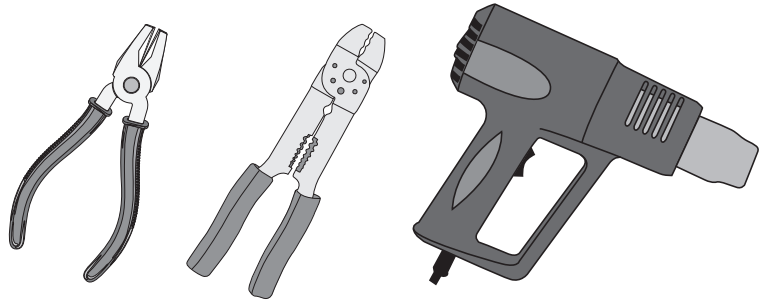




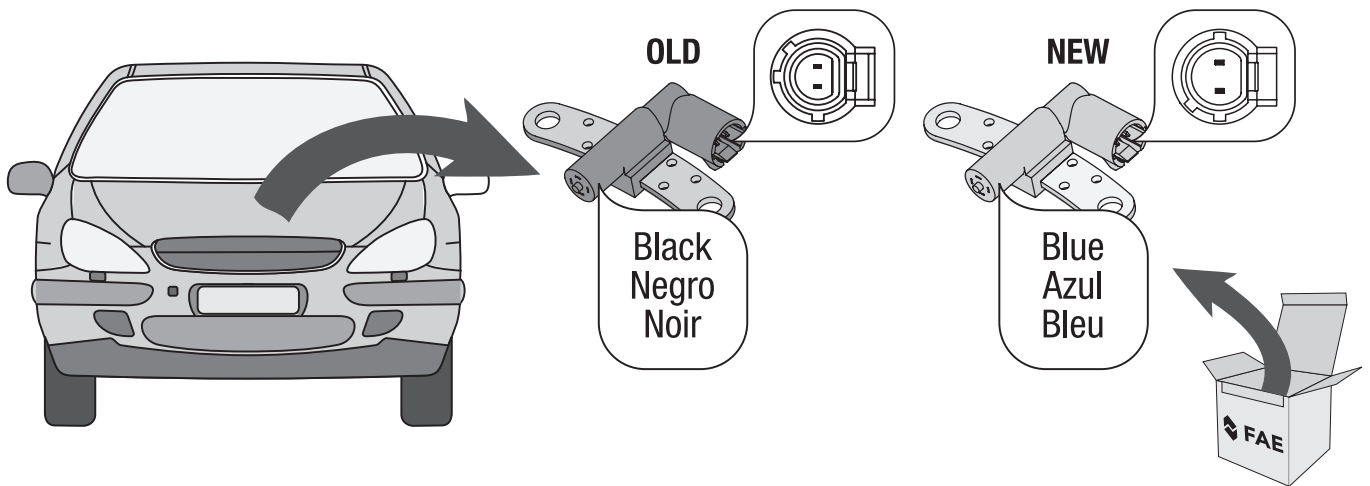
Kit / Kit / Kit



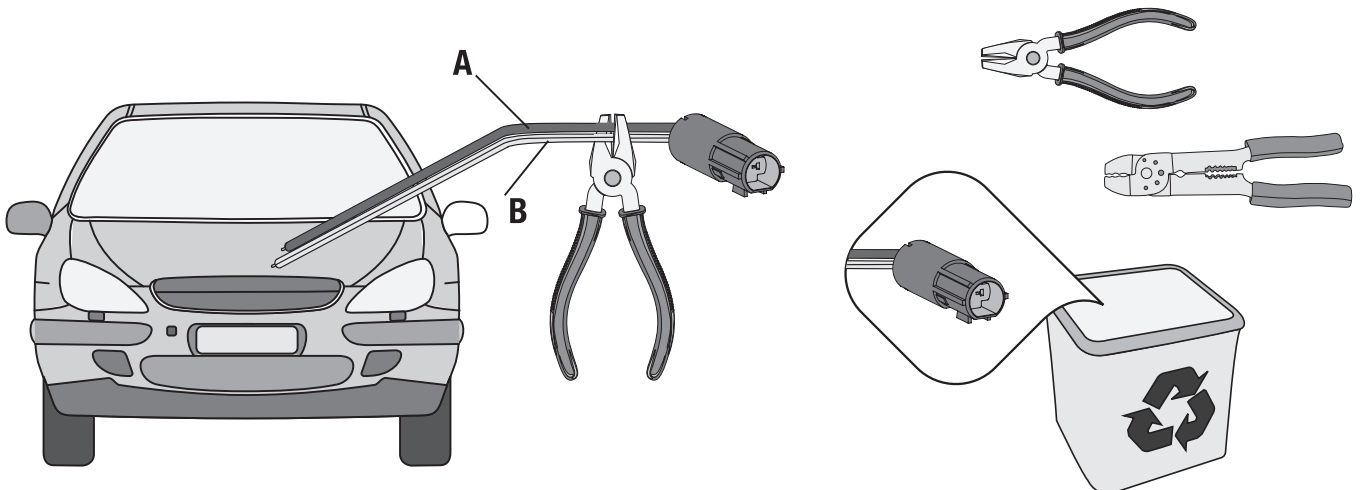
Tools required / Herramientas necesarias / Outillage nécessaire



1



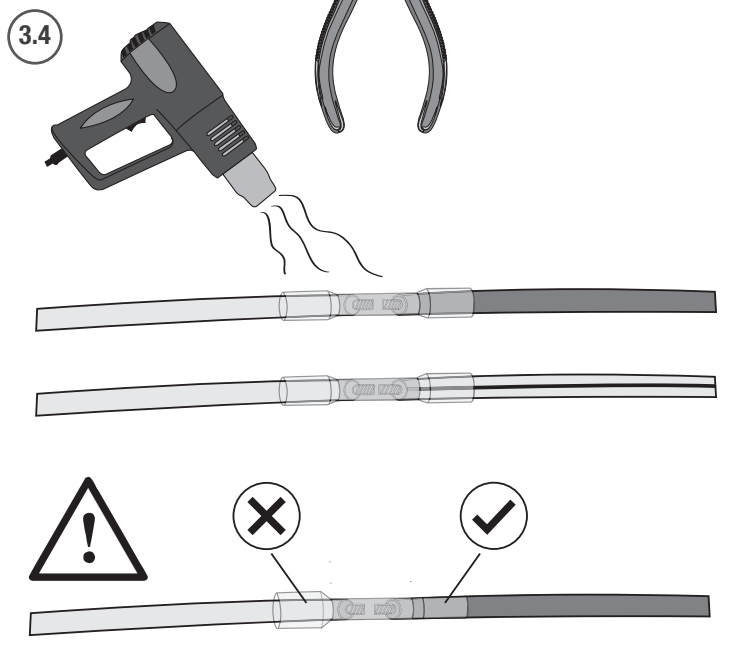
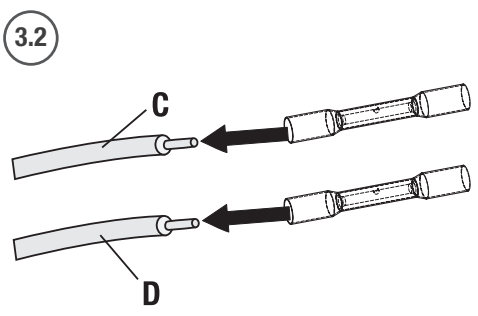
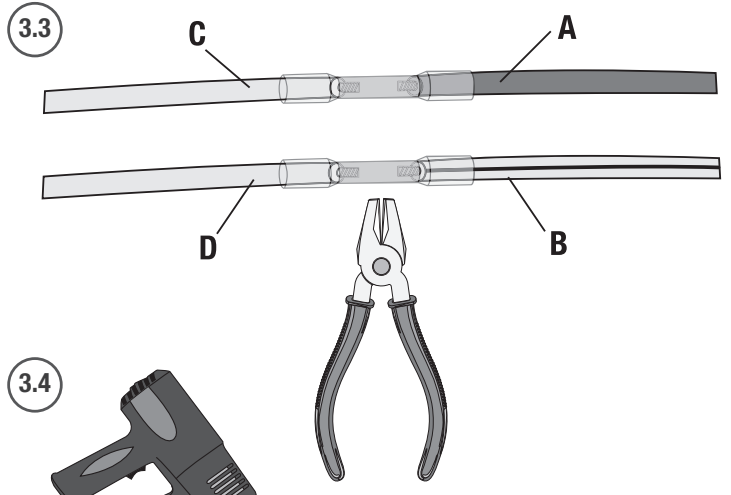
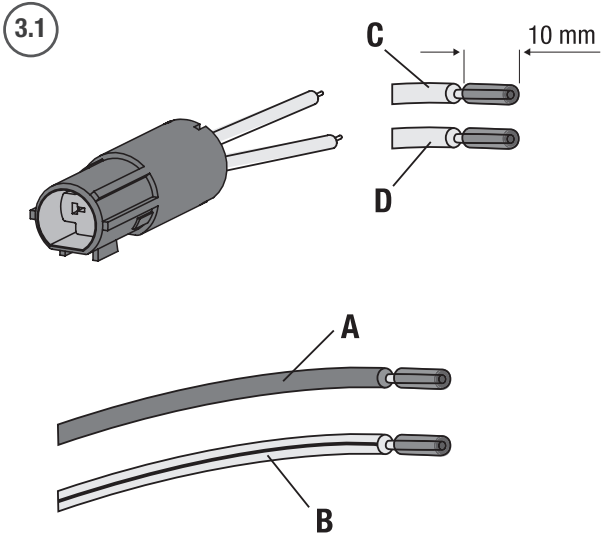
2





**3**

- |                                 |                                                    |                                                               |                                                      |
|---------------------------------|----------------------------------------------------|---------------------------------------------------------------|------------------------------------------------------|
| <b>A</b> black<br>negro<br>noir | <b>B</b> white/black<br>blanco/negro<br>blanc/noir | <b>C</b> yellow OR black<br>amarillo O negro<br>jaune OU noir | <b>D</b> pink OR red<br>rosa O rojo<br>rose OU rouge |
|---------------------------------|----------------------------------------------------|---------------------------------------------------------------|------------------------------------------------------|



**4**

