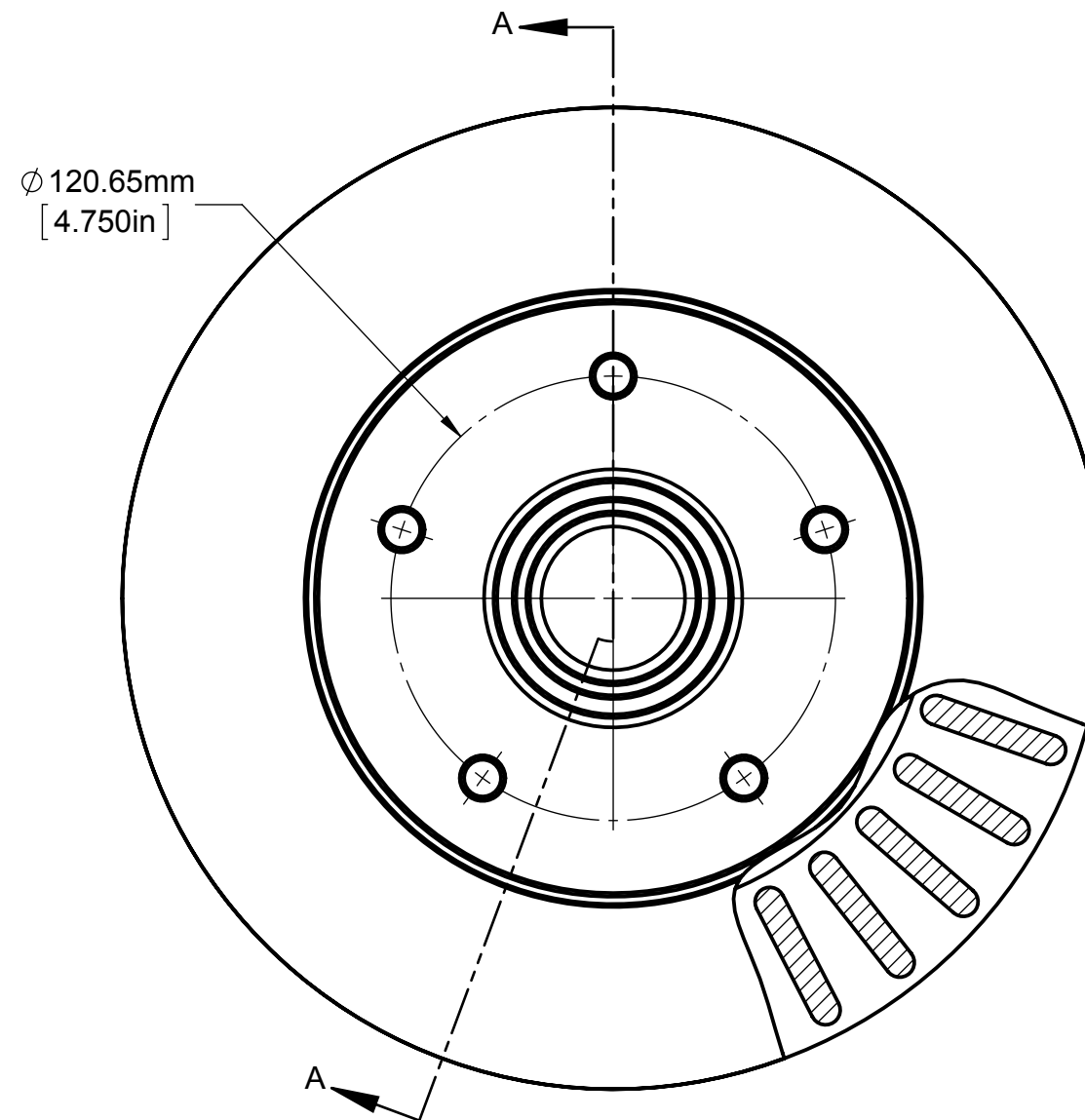



SECTION A-A



THIS DOCUMENT IS FOR IDENTIFICATION PURPOSES ONLY

 BRAKE PARTS INC	DRN: Joe Austen	ROTOR	
	DATE: 7/18/2014	CHKD: Bill Roberts	PART NO.
	DATE: 7/18/2014	86757	
<small>THIS DRAWING IS THE PROPERTY OF BRAKE PARTS INC. DRAWING CONTENT IS CONFIDENTIAL AND IS NOT TO BE DISCLOSED, REPRODUCED OR USED FOR MANUFACTURE, INSPECTION, OR IDENTIFICATION WITHOUT THEIR EXPRESS WRITTEN PERMISSION.</small>		SCALE: 1:2	REV
		DO NOT SCALE DRAWING	0