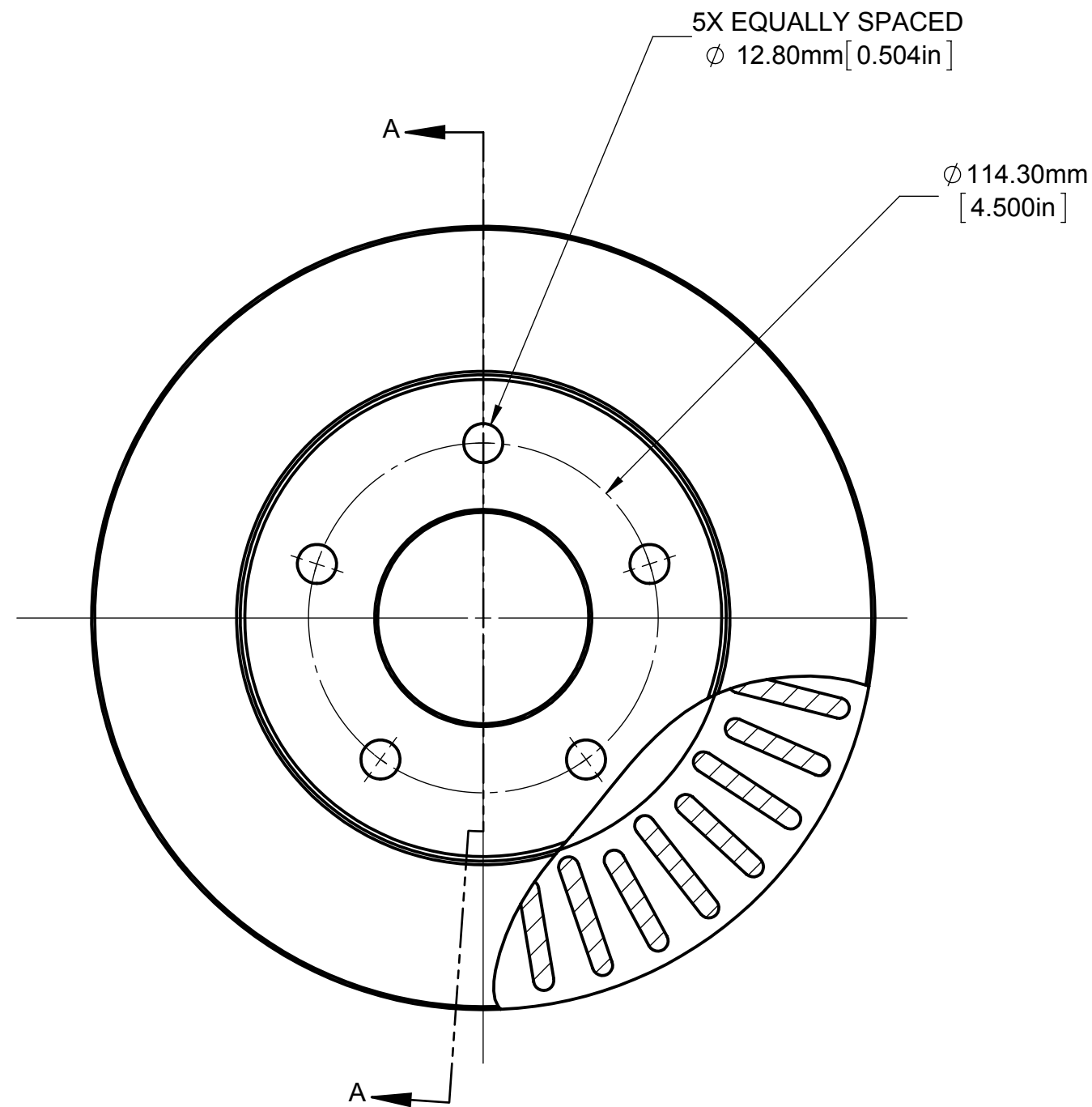



SECTION A-A



THIS DOCUMENT IS FOR IDENTIFICATION PURPOSES ONLY

 <b>BRAKE PARTS INC</b>	DRN: iiya.lerner	<b>ROTOR</b>	
	DATE: 7/22/2014		
	CHKD:	PART NO.	<b>86723</b>
DATE:	SCALE: 1:2		
<small>THIS DRAWING IS THE PROPERTY OF BRAKE PARTS INC. DRAWING CONTENT IS CONFIDENTIAL AND IS NOT TO BE DISCLOSED, REPRODUCED OR USED FOR MANUFACTURE, INSPECTION, OR IDENTIFICATION WITHOUT THEIR EXPRESS WRITTEN PERMISSION.</small>		<small>DO NOT SCALE DRAWING</small>	