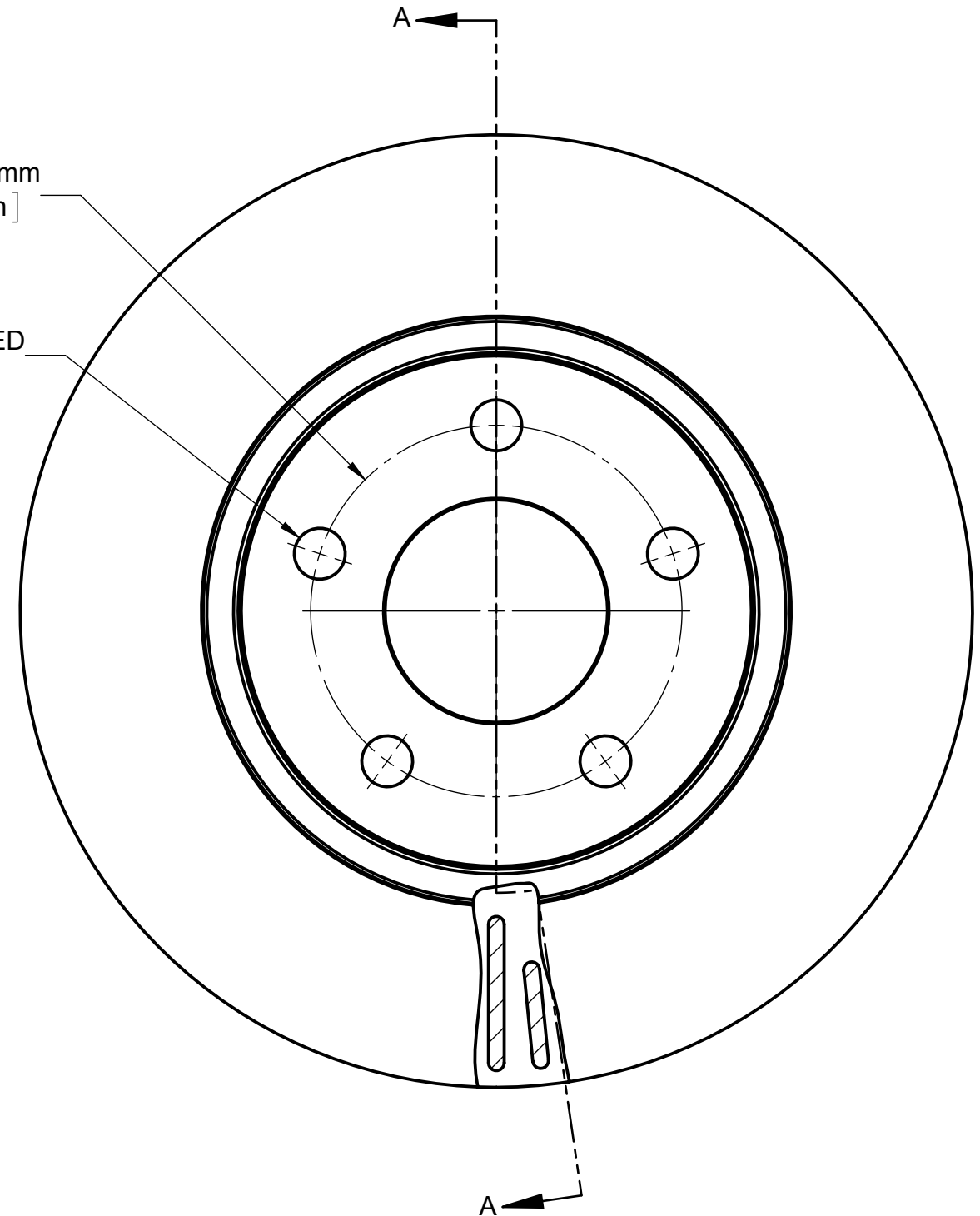



SECTION A-A  
MIN THK 30.7MM

Ø 118.0mm  
[4.65in]  
5X EQUALLY SPACED  
Ø 16.2mm [.64in]



THIS DOCUMENT IS FOR IDENTIFICATION PURPOSES ONLY

 <b>BRAKE PARTS INC</b> <small>THIS DRAWING IS THE PROPERTY OF BRAKE PARTS INC. DRAWING CONTENT IS CONFIDENTIAL AND IS NOT TO BE DISCLOSED, REPRODUCED OR USED FOR MANUFACTURE, INSPECTION, OR IDENTIFICATION WITHOUT THEIR EXPRESS WRITTEN PERMISSION.</small>	DRN: Nate Kinkley	<b>ROTOR</b>	
	DATE: 3/10/2015		
	CHKD:	PART NO.	<b>86641</b>
DATE:	SCALE: 1:2	0	
DO NOT SCALE DRAWING			