

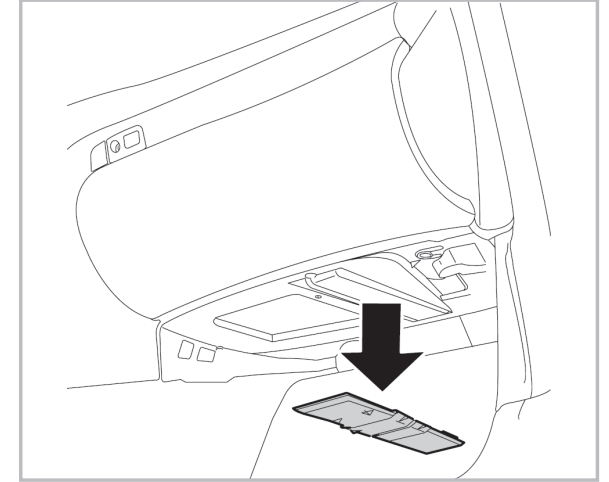
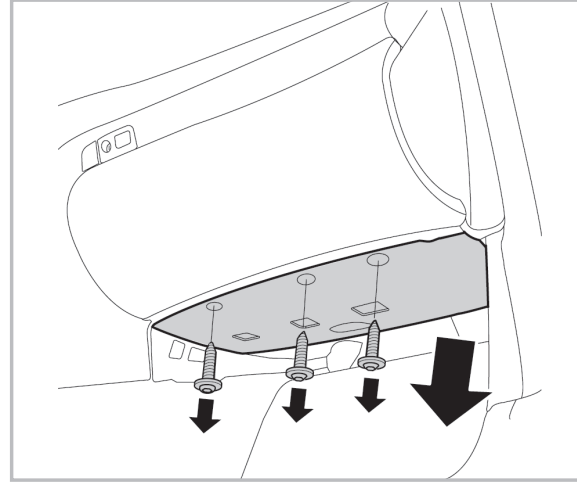
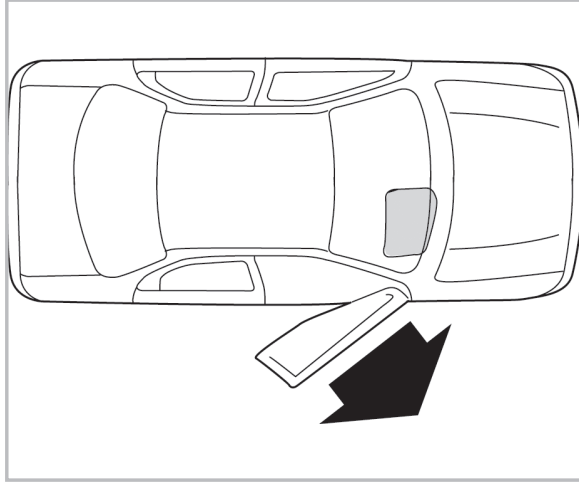


FOR
PORSCHE 911 A/C+ (10/11 >) / **BOXSTER** / **BOXSTER S** A/C+ (02/12 >)



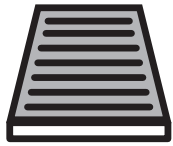
PROTECT

combined with
active carbon

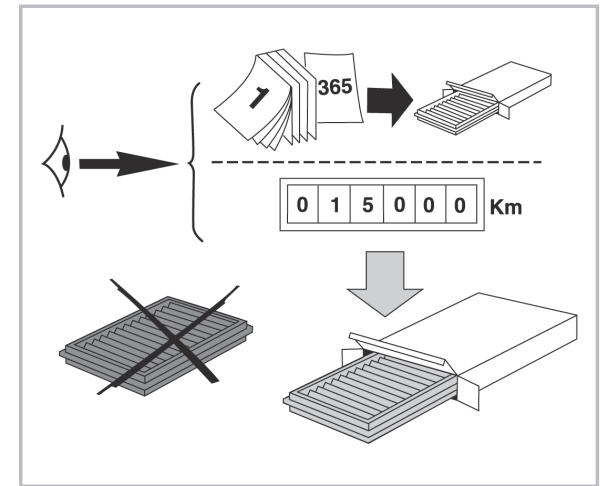
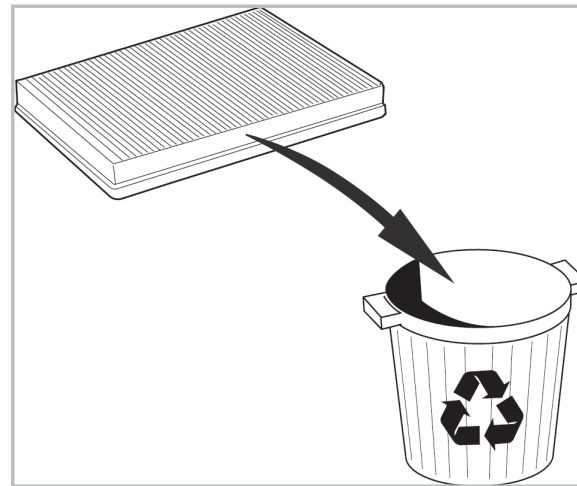
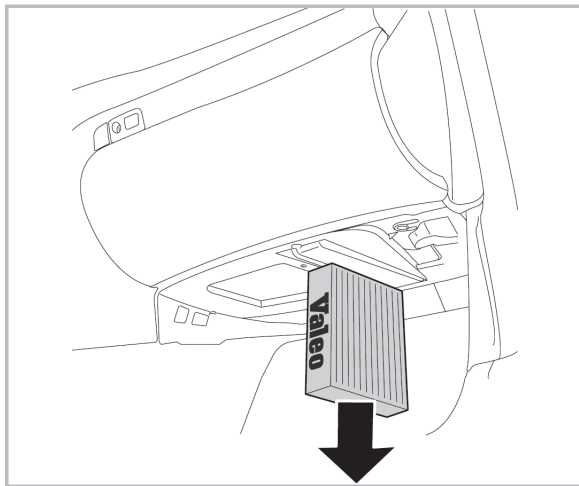


715753

FH919



CA



**WANT TO
KNOW MORE?**



www.valeo-techassist.com