



SUPREME

with anti-allergen properties



701030

FH 2030



PCA

WANT TO KNOW MORE?

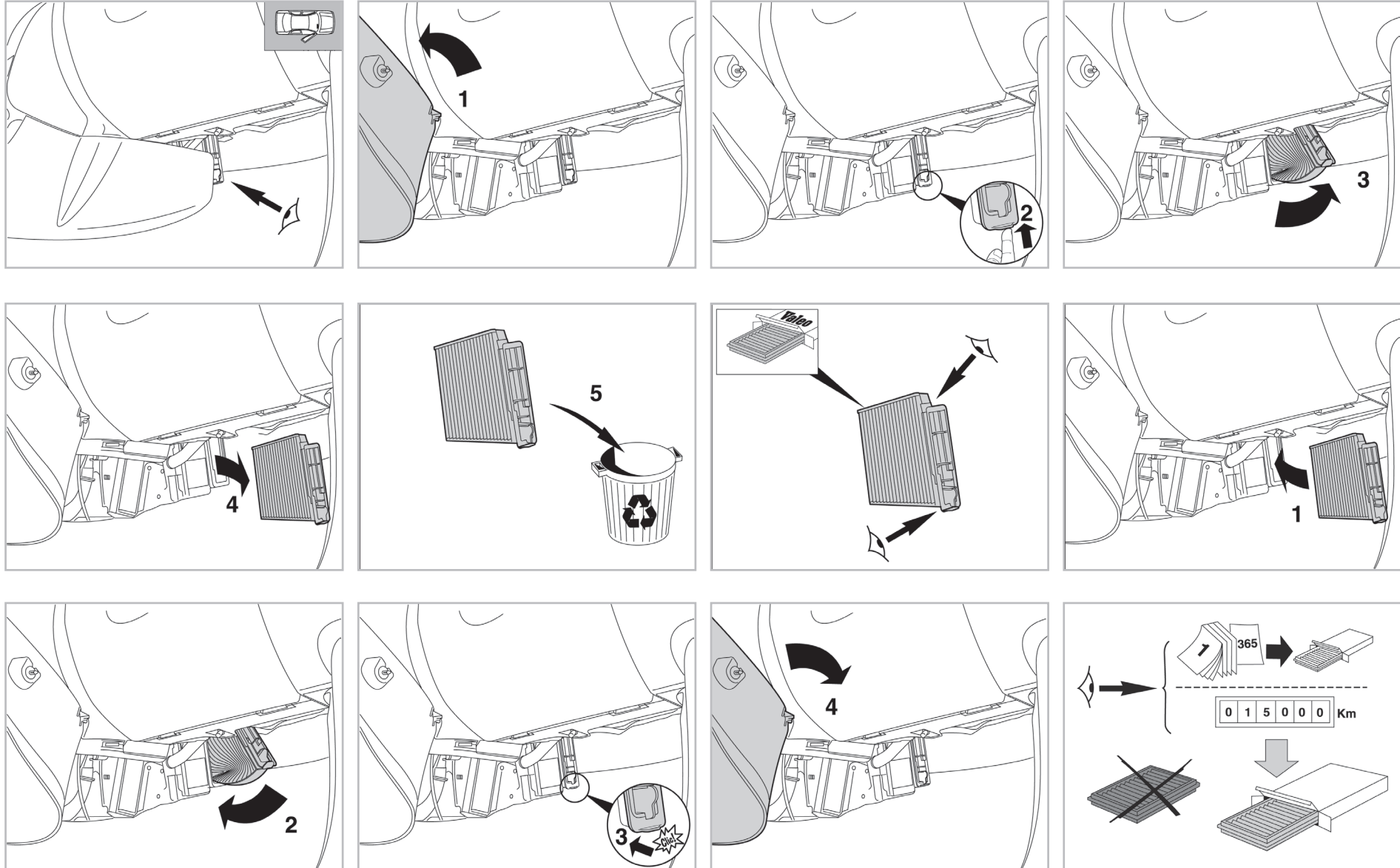


www.valeo-techassist.com

FOR

**DACIA**  
**NISSAN**  
**RENAULT**

**DUSTER II A/C+/- (03/10 >) / LOGAN A/C+/- (09/04 >) / SANDERO (06/08 >)**  
**NOTE I A/C+ (09/05 >) / MODUS A/C+/- (09/04 >)**  
**TWINGO III A/C+/- (07/07 >) / WIND M+ (07/10 >)**



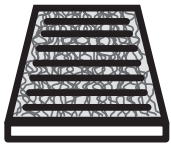
Valeo Service - Société par Actions Simplifiée - Capital de 12 900 000 € - 70, rue Pleyel, 93285 Saint-Denis Cedex - France - B 306 486 408 RCS Bobigny

with anti-allergen  
properties



FOR  
**NISSAN** MICRA (K12) A/C+ (01/03 >)

**701030**  
FH 2030



PCA

WANT TO  
KNOW MORE?



[www.valeo-techassist.com](http://www.valeo-techassist.com)

