



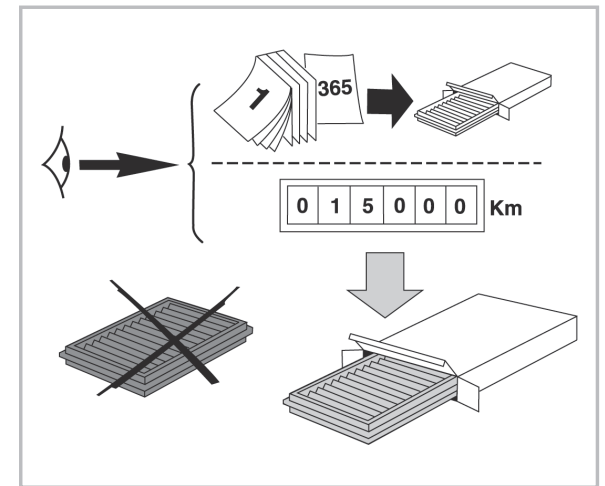
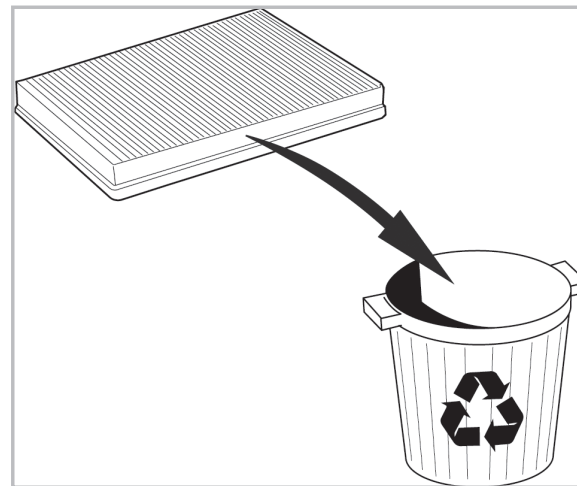
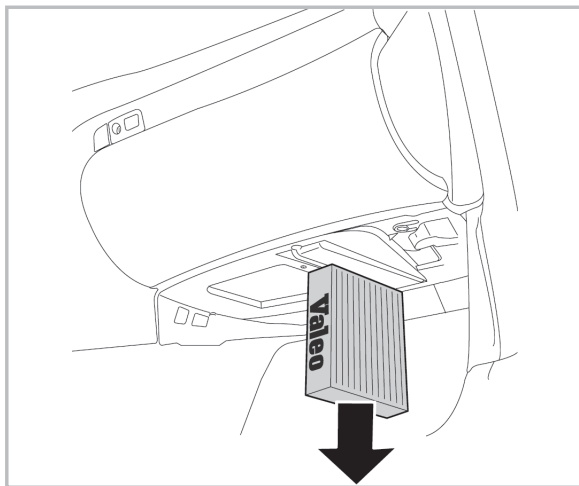
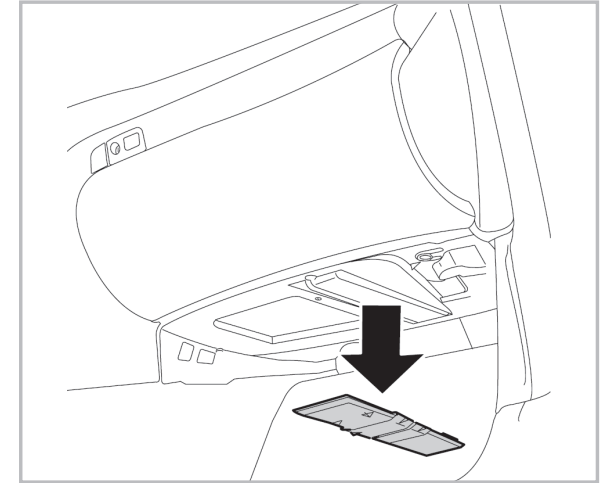
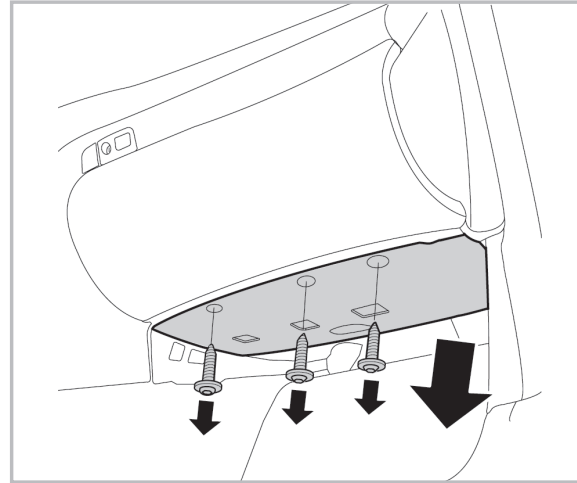
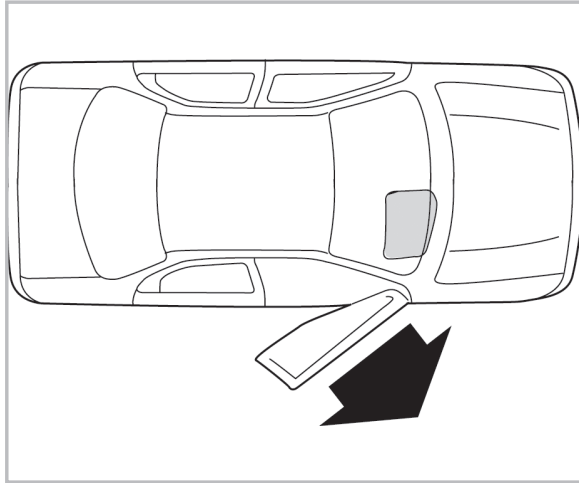
FOR
MAZDA

323 (BJ) A/C- (08/98 > 10/03) / **626 (GF)** A/C- (10/99 > 05/02)

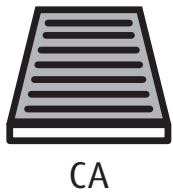


PROTECT

combined with
active carbon



698890
FH128



**WANT TO
KNOW MORE?**



www.valeo-techassist.com

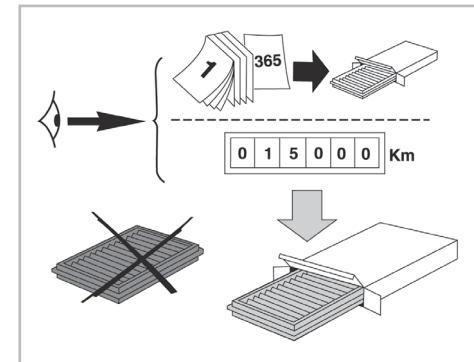
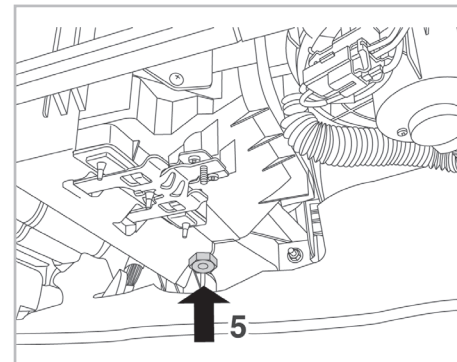
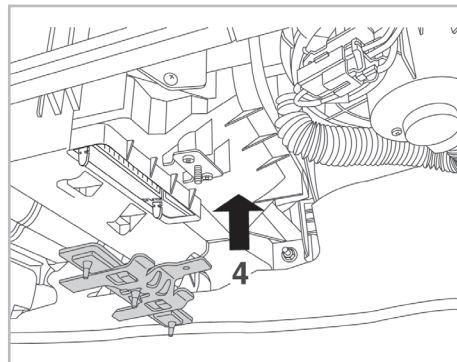
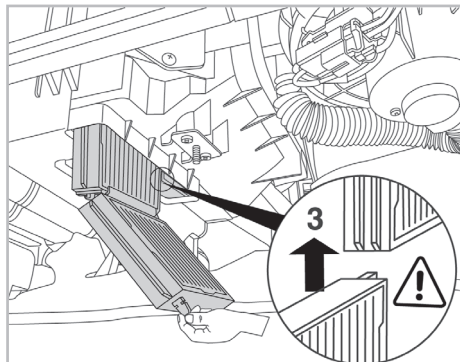
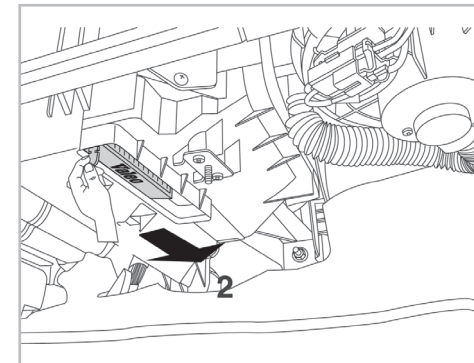
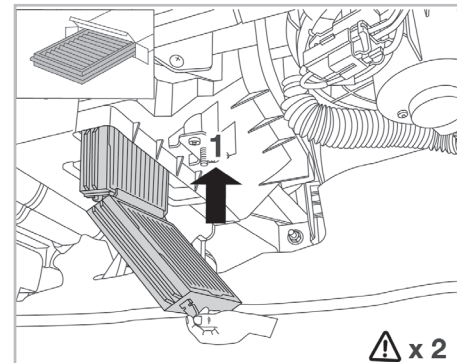
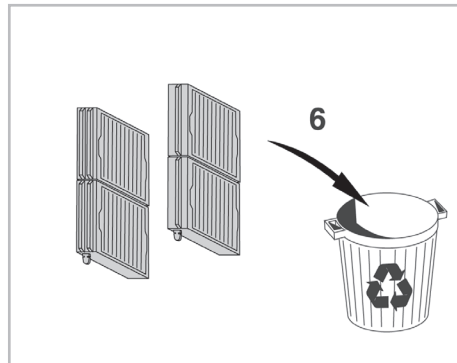
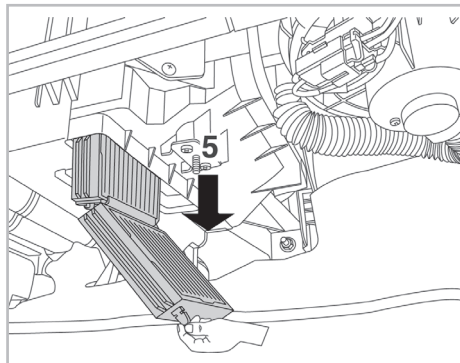
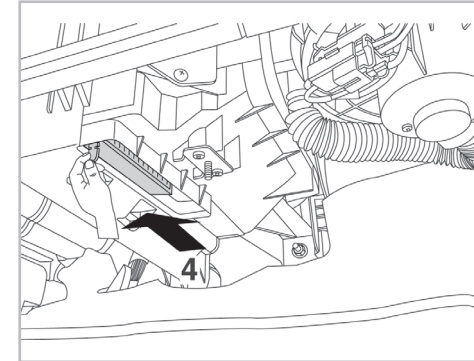
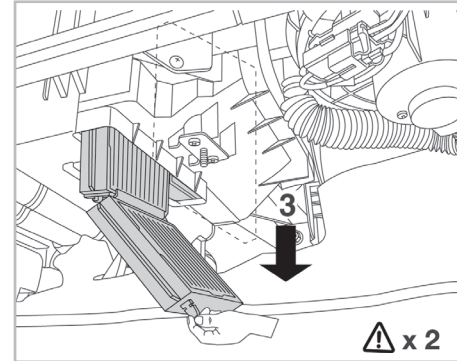
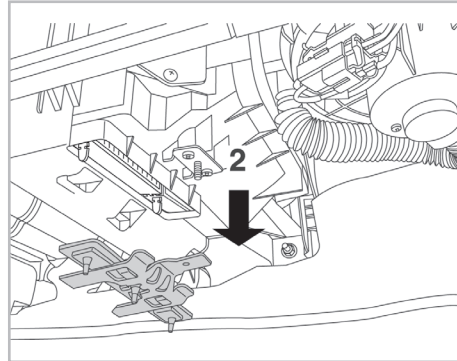
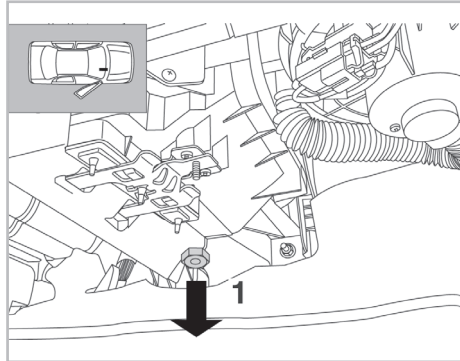


PROTECT

combined with active carbon

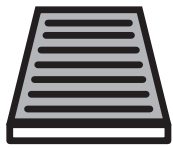


FOR MAZDA PREMACY A/C+ (06/99 >)



698890

FH128



CA

WANT TO KNOW MORE?



www.valeo-techassist.com

Valeo Service - Société par Actions Simplifiée - Capital de 12 900 000 € - 70, rue Pleyel, 93285 Saint-Denis Cedex - France - B 306 486 408 RCS Bobigny