

> GKN installation instructions

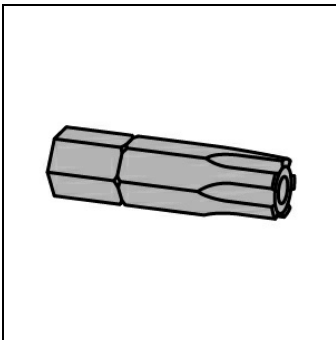
Steering column Standard OPEL CORSA D

Safety instructions

Ensure proper cleanliness when working on the servo-steering.
Steering column adjustment must remain locked during steering column removal.
Generally replace self-locking as well as corroded screws and nuts.
Observe disposal regulations!

Work on restraint systems must be carried out by qualified personnel in possession of certificate of specialist knowledge.
Repair work on components of the restraint system is not allowed, new parts must always be used.
Open these components by force or modifying them is prohibited.
Never carry out any measurements on pyrotechnic components using a multimeter or a test lamp.
Always store airbag unit with the padded side pointing upward.
Do not use oils, fats, chemicals and cleaners not approved by the manufacturer on airbag units.
Never leave pyrotechnical components lying around without supervision.

Required special tools



Bit socket
AUT (CH-48829)

Required Labour times/torques

scheduled times

Replace the steering column	
-----------------------------	--

Tightening torques

Self-locking screws and nuts must always be replaced.

Steering column module screw(s) (3)	(see Figure3)		20 Nm
Universal joint bolt(s) (1)	(see Figure5)	Clean the thread and use screw-locking compound.	top 40 Nm; bottom 55 Nm
Steering column screw(s). (2)	(see Figure6)	Note correct order of tensioning.	22 Nm
Steering spindle screw(s) (1)	(see Figure7)	Use new screw.	24 Nm + 60°
Steering wheel nut(s)			30 Nm



Remove:

Disconnect battery (negative terminal).

Keep waiting time of min. 1 min.

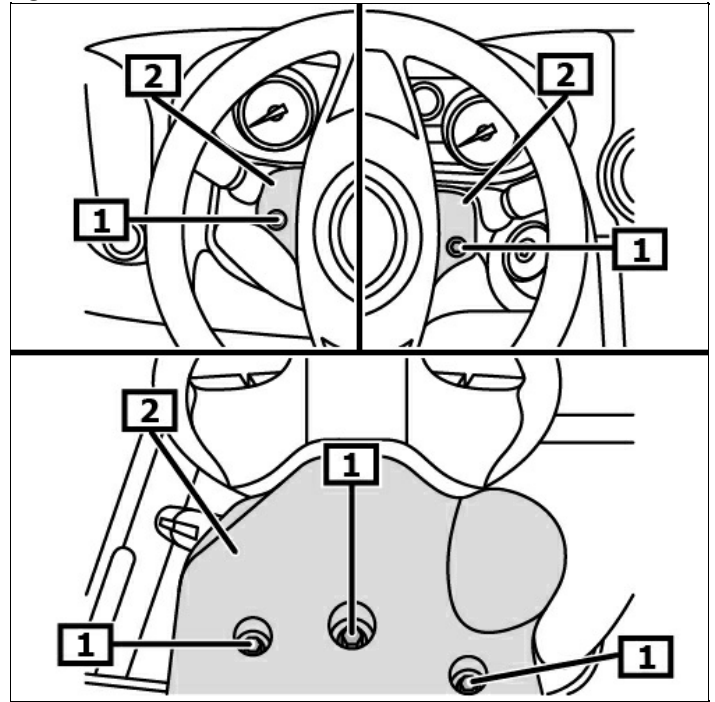
Remove driver's airbag.
Demount steering wheel.

Remove steering wheel and contact unit only when they are in centre position.

Unscrew and remove steering column shroud(s) screw(s). **(1)**
Remove steering column panel(s). **(2)**
Detach electric line from lower steering column shroud. **(see Figure1)**

Disconnect cruise control system electric plug connection(s). **(If present) (1)**
Unlock steering column switch engagement pin using suitable tool. **(2)**
Remove direction indicator steering column switch. **(3)**
Unlock steering column switch engagement pin using suitable tool. **(2)**
Remove windscreen wiper steering column switch. **(4)**
(see Figure2)

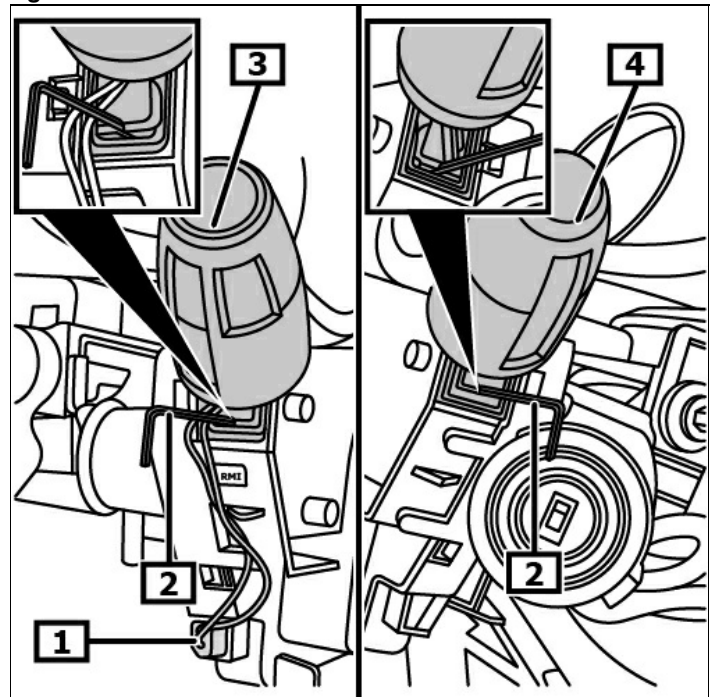
Figure 1



1 Steering column shroud(s) screw(s)

2 Steering column shroud(s)

Figure 2



1 Electrical connection(s)

2 Tool(s)

3 Direction indicator steering column switch

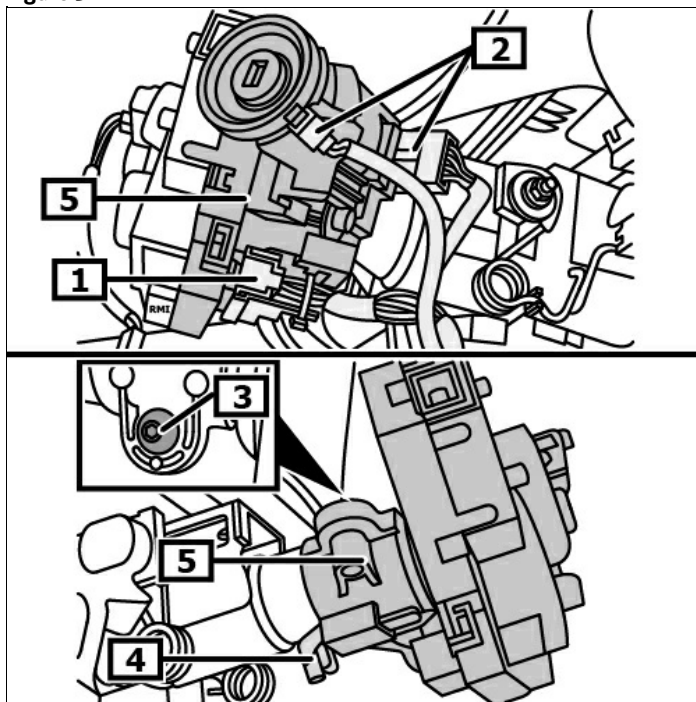
4 Windscreen wiper steering column switch

Disconnect steering column module electric plug connection(s). (1)
 (2)
 Unscrew and remove steering column module screw(s). (3)

Required special tools:
 Bit socket **AUT (CH-48829)**

Loosen steering column module retaining device. (4)
 Turn the ignition key to the 1 position.
 Remove steering column module. (5)
 (see Figure3)

Figure 3



1 Electrical connection(s)

2 Electrical connection(s)

3 Steering column module screw(s)

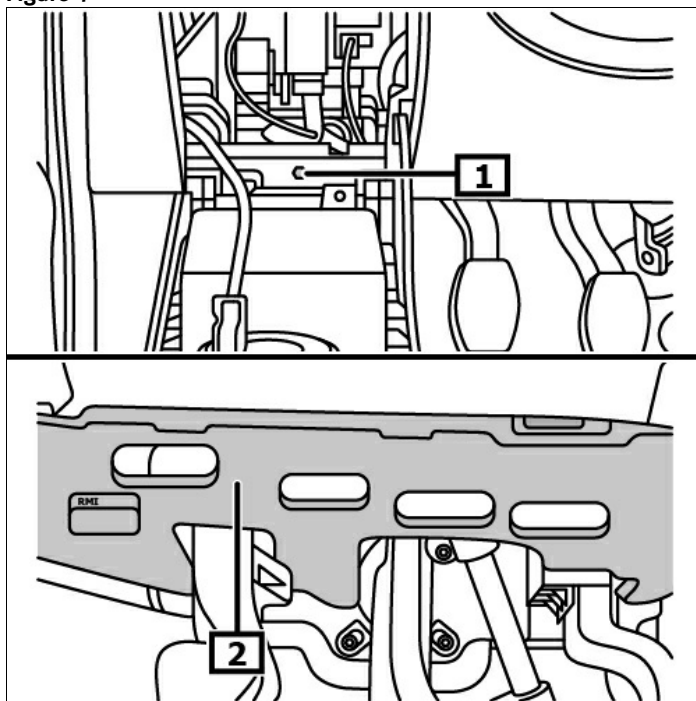
4 Steering column module retaining device

5 Steering column module

Remove driver's side footwell air duct.
 Open fuse box cover.

Unscrew and remove driver's side footwell paneling screw(s). (1)
 Remove the footwell panelling. (2)
 (see Figure4)

Figure 4



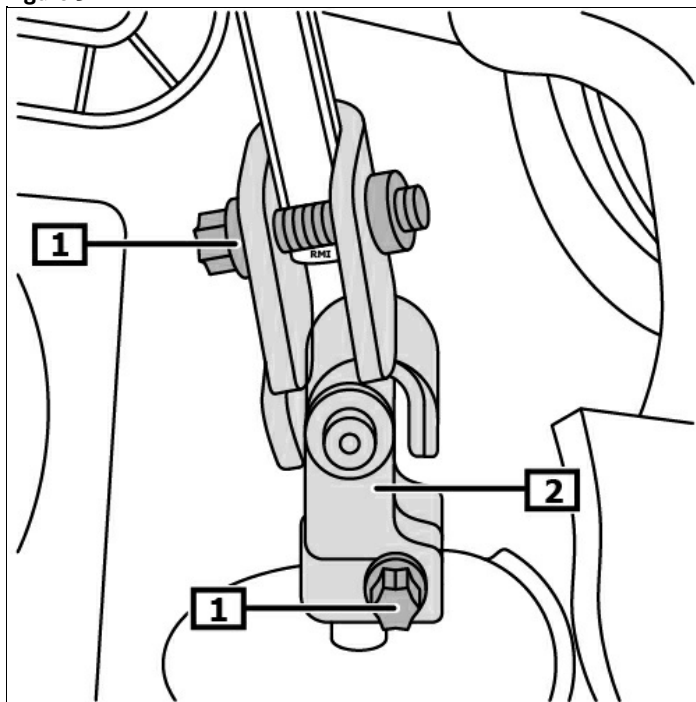
1 Driver's side footwell paneling screw(s)

2 Footwell panelling



Unscrew universal joint bolt(s). **(1)**
Remove the universal joint upward from the steering gear. **(2)**
(see Figure5)

Figure 5



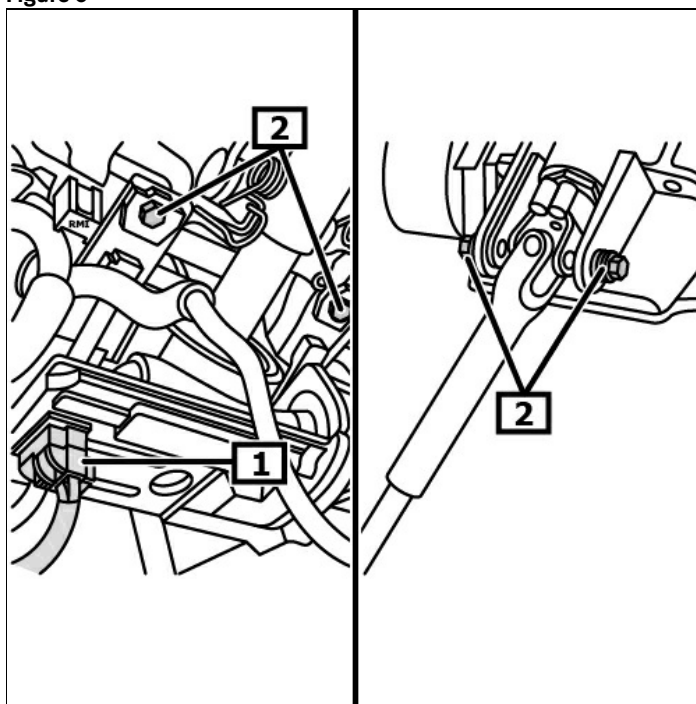
1 Universal joint bolt(s)

2 Steering universal joint

Remove electric plug connection from electric power steering control unit. **(1)**
Unscrew the steering column screw(s). **(2)**
(see Figure6)

Remove the steering column.

Figure 6



1 Electrical connection(s)

2 Steering column screw(s).



Unscrew and remove steering spindle screw(s). **(1)**
Remove steering spindle from steering column. **(2)**
(see Figure7)

Install:

Installation in reverse order of removal.

Tighten steering column screw(s) in following tightening order. **(2)**
Tighten screws in the order lower left, lower right, upper left, upper right.

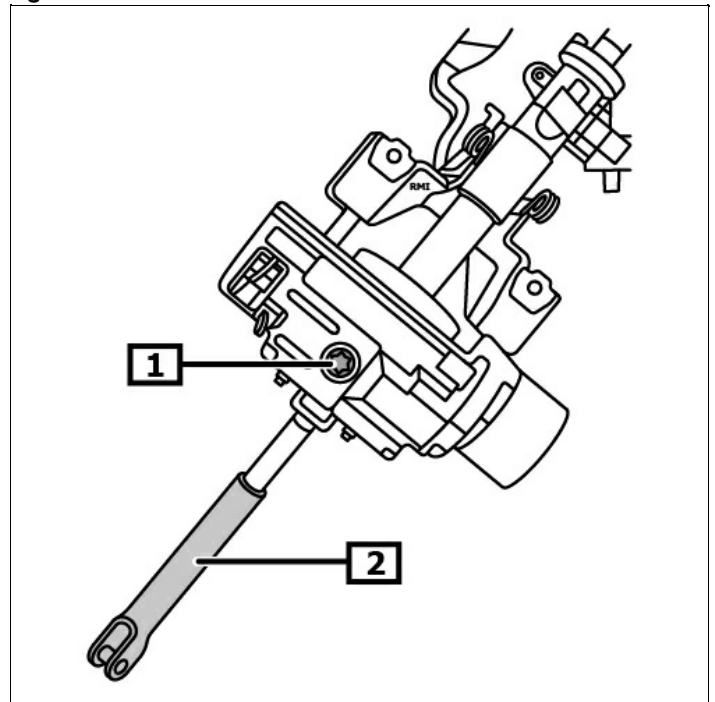
(see Figure6)

Continue assembly in reverse order of removal.

Code radio and reprogram vehicle settings if required.
Teach the steering angle sensor.

Check driving position to the front, adjust if needed.

Figure 7



1 Steering spindle screw(s)

2 Steering spindle

