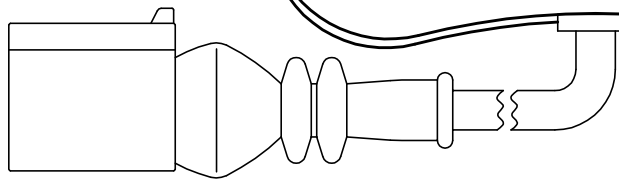
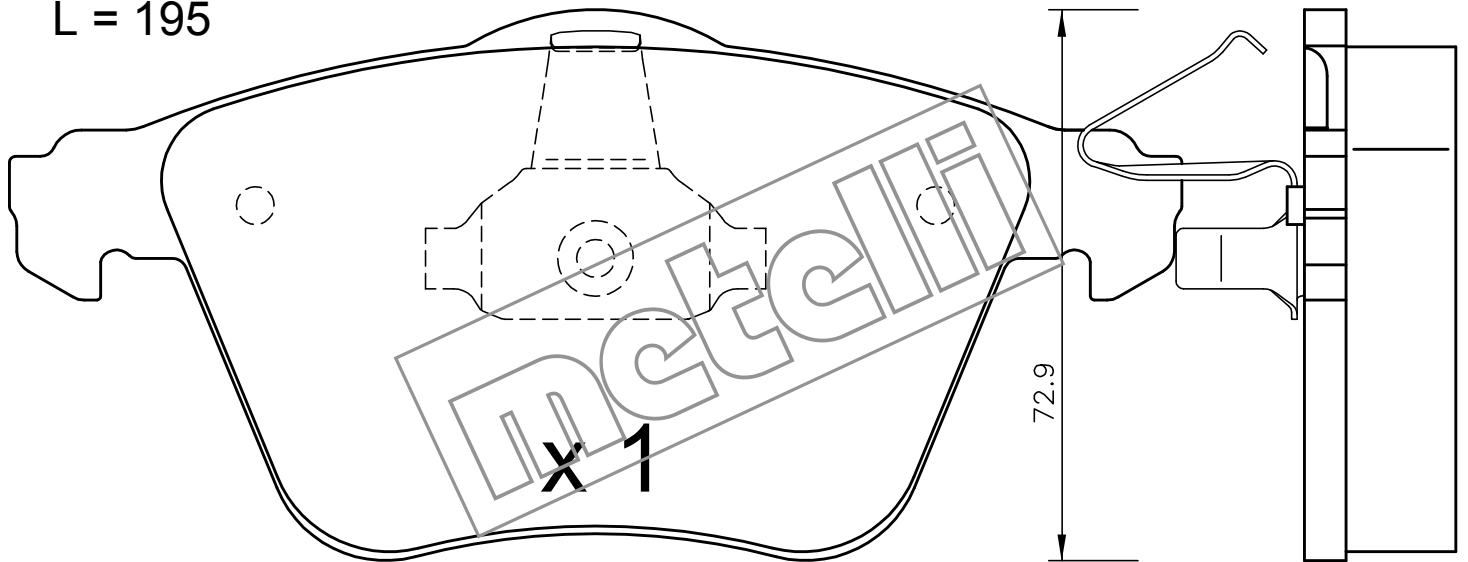


x 1



L = 195

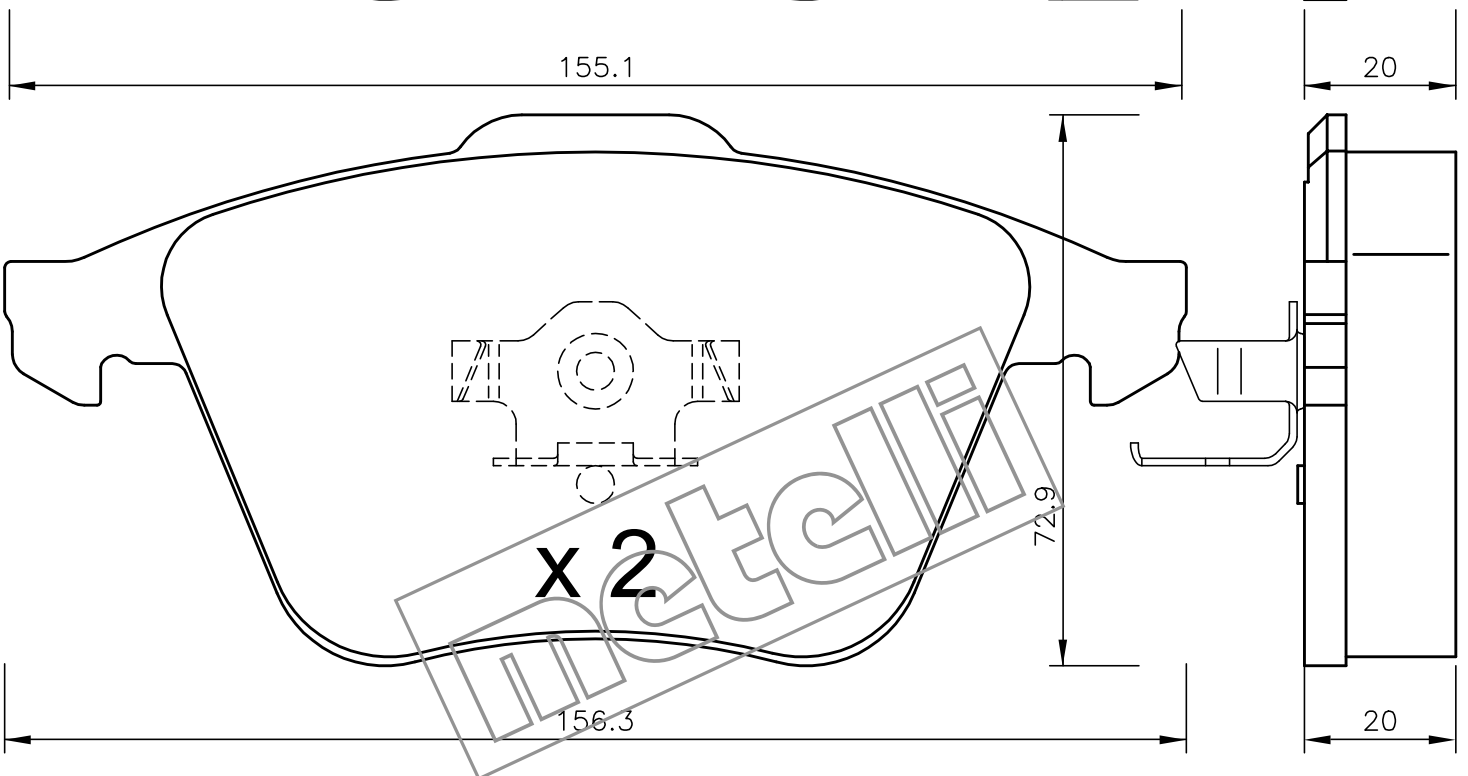


x 1

155.1

72.9

20



x 2

156.3

72.9

20