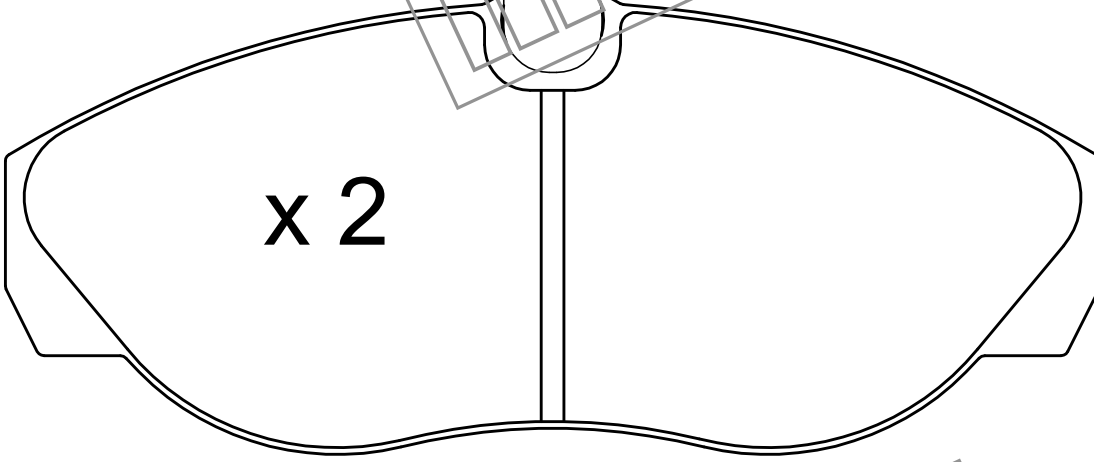
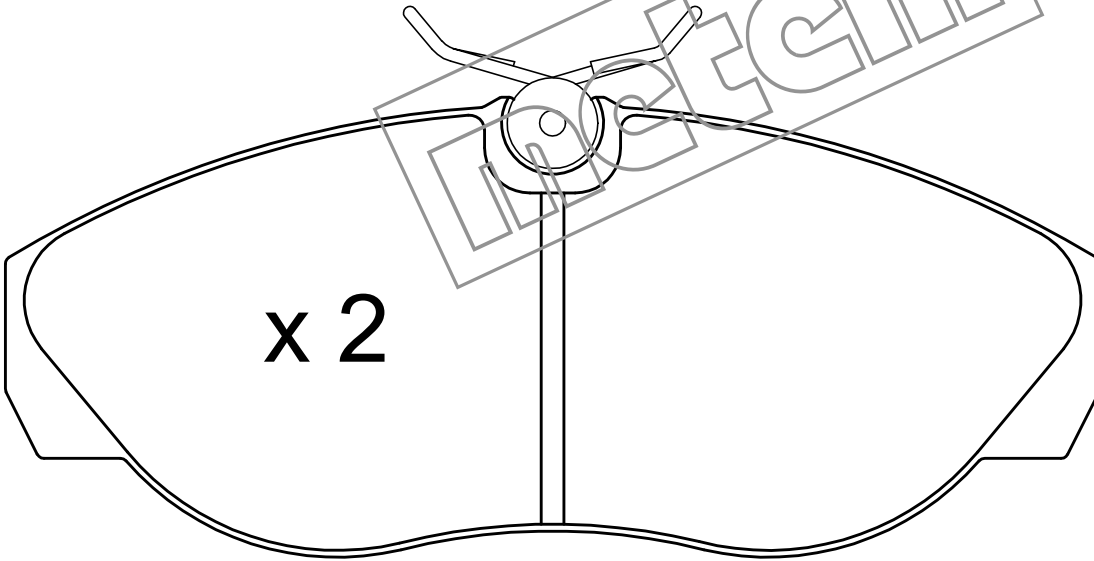
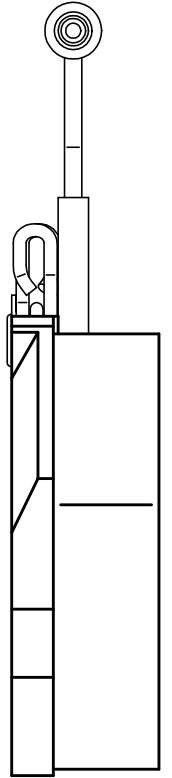


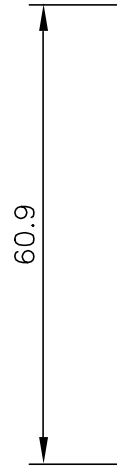
L = 195



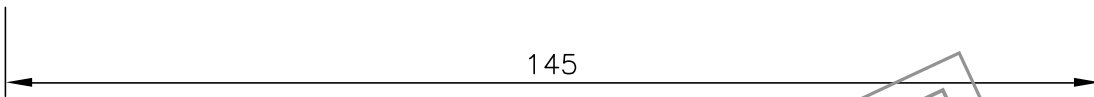
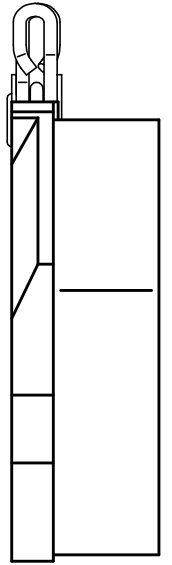
x 2



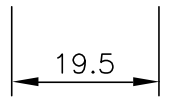
x 2



60.9



145



19.5

metelli