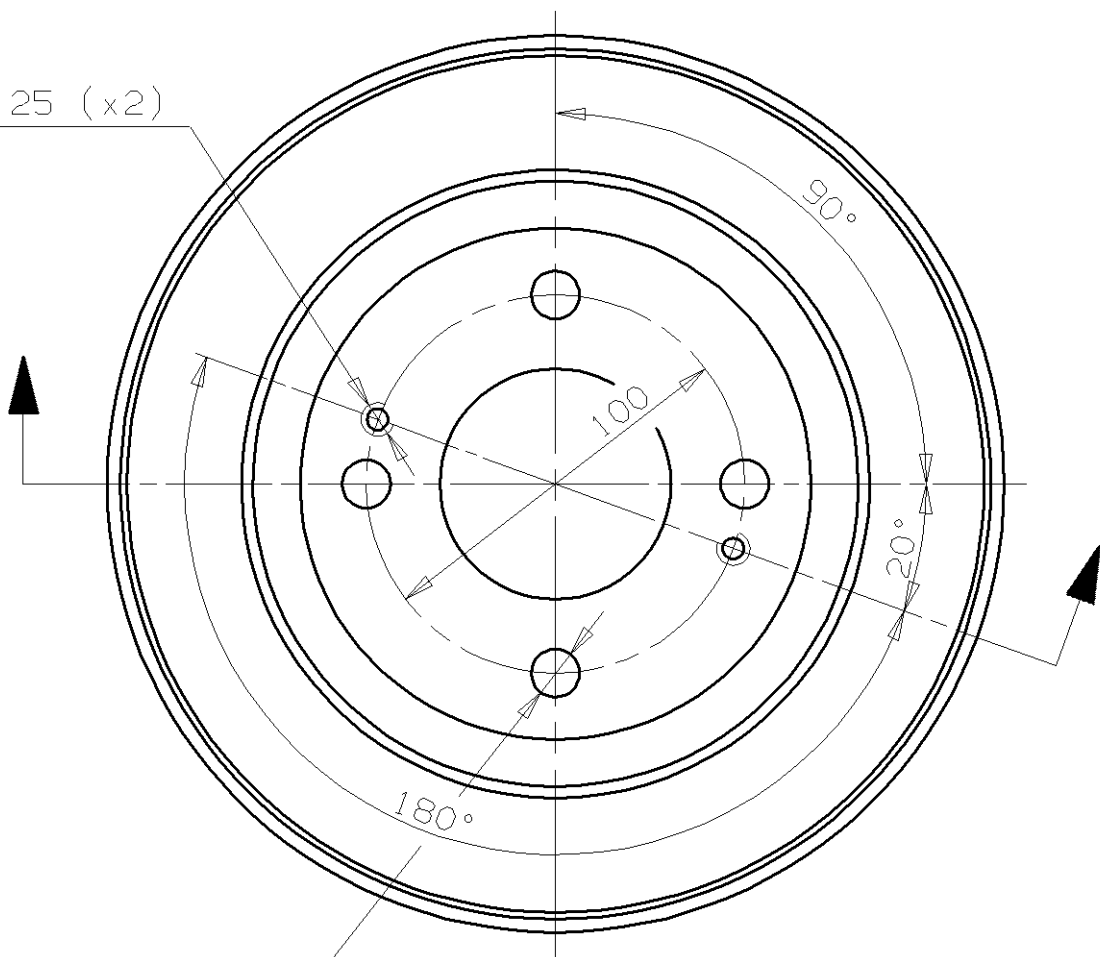


M8x1.25 (x2)



12.75 (x4)

C MOUNTING FACE

Max. DIA. 201 mm

Weight 4.2 Kg