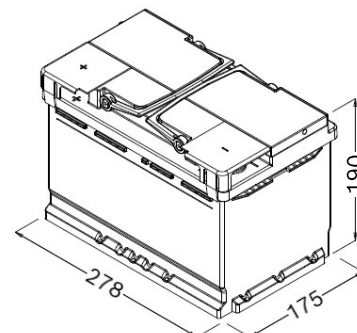


SLI Battery For passenger vehicles



Part information

Part No:	0092PP0090
Short code:	PP009
Product line:	Power Plus
Technology:	SLI - Starting-Lighting-Ignition*
EAN code:	4047026554366
Box color:	Silver



Technical information

Nominal Voltage:	12 V		
Nominal capacity: (EN / 20 hr discharge down to 10.5 V)	C20	74 Ah	
Cold cranking amps: (EN / -18°C U10s ≥ 7.5 V)	680 A		
Group size:	L03		
JIS type:	-		
Short-time angle of inclination:	55°		
Permanent angle of inclination:	0°		
Dimension:	Length 278 mm	Width 175 mm	Ht. w terminal 190 mm
Total battery weight: (approx., filled battery)	16,6 kg		
Layout: (ETN, DIN 72331)	ETN 1		
Terminal: (ETN, DIN 72331)	EN taper post		
Base hold down: (ETN, DIN 72331)	B13		
Degassing:	Central		

Technical data

Application:	Conventional						
Service:	Maintenance-free						
Standard charging:	<table> <tr> <td>Charging voltage:</td> <td>14,4 V</td> </tr> <tr> <td>Charging current:</td> <td>7,4 A</td> </tr> <tr> <td>Charging pattern:</td> <td>IU</td> </tr> </table>	Charging voltage:	14,4 V	Charging current:	7,4 A	Charging pattern:	IU
Charging voltage:	14,4 V						
Charging current:	7,4 A						
Charging pattern:	IU						
Standards:	DIN EN 60095-1, -2, -4 Lead-acid starter batteries; DIN EN 50342 Lead-acid starter batteries; DIN 41 773, Charger with IU characteristics						

*SLI (Starting-lighting-ignition): lead-acid starting-lighting-ignition/starter battery