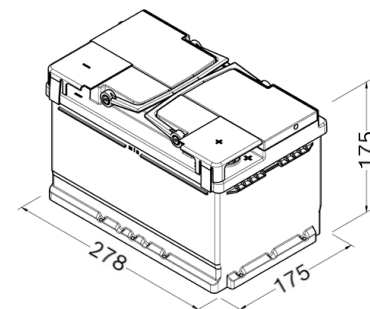


EFB Battery For passenger vehicles



Part information

Part No:	0092PE0070
Short code:	PE007
Product line:	Power EFB
Technology:	EFB - Enhanced Flooded Battery*
EAN code:	4047026554069
Box color:	Silver



Technical information

Nominal Voltage:	12 V		
Nominal capacity: (EN / 20 hr discharge down to 10.5 V)	C20	65 Ah	
Cold cranking amps: (EN / -18°C U10s ≥ 7.5 V)	650 A		
Group size:	LB3		
JIS type:	-		
Short-time angle of inclination:	55°		
Permanent angle of inclination:	0°		
Dimension:	Length 278 mm	Width 175 mm	Ht. w terminal 175 mm
Total battery weight: (approx., filled battery)	16,4 kg		
Layout: (ETN, DIN 72331)	ETN 0		
Terminal: (ETN, DIN 72331)	EN taper post		
Base hold down: (ETN, DIN 72331)	B13		
Degassing:	Central		

Technical data

Application:	Start/Stop
Service:	Maintenance-free
Standard charging:	Charging voltage: 14,4 V
	Charging current: 6,5 A
	Charging pattern: IU
Standards:	DIN EN 60095-1, -2, -4 Lead-acid starter batteries; DIN EN 50342 Lead-acid starter batteries; DIN 41 773, Charger with IU characteristics

* EFB (Enhanced Flooded Battery): the positive plate is coated with a polyester scrim, thus keeping the self-discharge rates low