

# Transmission Repair Parts for VOLVO.

VT2014B

VT2214B  
VT02214B

VT2514  
VT2514B  
VT02514

VT2814B  
VT02814B

01.02.2022



# CHART 01 Input Shaft & Front Cover

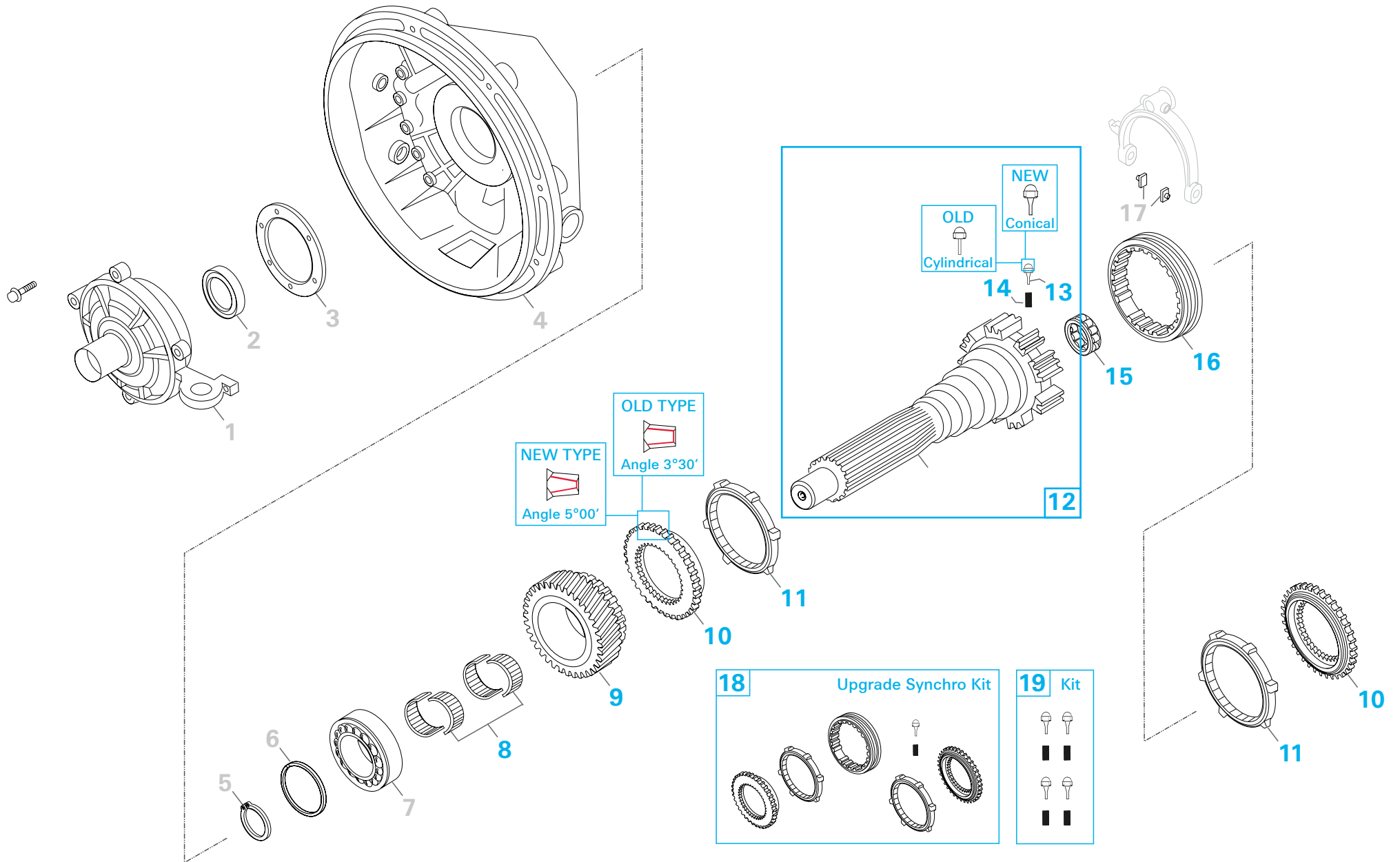


FIG.	VT2014B	VT2214B	VT02214B	VT2514	VT2514B	VT02514	VT2814B	VT02814B	ZF	VOLVO*	Description	Qty	Notes
8	■	■	■	■	■	■	■	■	0073.301.008	1654088	Bearing, Transmission Input Shaft, Manual Transmission, 2Pcs (92x100x27)	1	
9	■	■	■	■	■	■	■	■	0073.301.005	20776783	Constant Gear, Main Shaft (31-28T.)	1	
10	■	■	■	■	■	■	■	■	0073.301.025	1673541	(A) Synchronizer Cone, Speed Change Gear (54-28T.)	2	Old Type
10	■	■	■	■	■	■	■	■	0073.301.021	21994372	(B) Synchronizer Cone, Speed Change Gear (54-28T.)	2	New Type
11	■	■	■	■	■	■	■	■	0073.301.023	21992993	Synchronizer Ring, Manual Transmission	2	
12	■	■	■	■	■	■	■	■	0073.298.009	8171556	Repair Kit, manual transmission	1	10 Splines with Kit Fig.13+14
12	■	■	■	■	■	■	■	■	0073.301.039	1069239	Main Shaft, manual transmission	1	with Kit Fig.13+14
13	■	■	■	■	■	■	■	■	0073.298.009	20766774	Repair Kit, manual transmission	4	Conical Type
14	■	■	■	■	■	■	■	■	0073.298.009	21140387	Repair Kit, manual transmission	4	
15	■	■	■	■	■	■	■	■	0073.301.009	1656116	Bearing, Transmission Input Shaft, Manual Transmission (40x38)	1	
16	■	■	■	■	■	■	■	■	0073.301.024	1673540	(A) Gearshift Sleeve, Manual Transmission (54T.)	1	Old Type
16	■	■	■	■	■	■	■	■	0073.301.020	21994373	(B) Gearshift Sleeve, Manual Transmission (54T.)	1	New Type
18	■	■	■	■	■	■	■	■	0073.298.028	21671426	(B) Synchro Kit	1	New Type

\* For complete list of ex numbers please see: [aftermarket.zf.com/catalog](https://aftermarket.zf.com/catalog)

(A) To be coupled together (Version with 3° 30' Conical Angle)

(B) To be coupled together (Version with 5° 00' Conical Angle)

# CHART 02

## Mainshaft Front

**18** Synchro Kit 3rd

**41** Synchro Kit 1/2nd

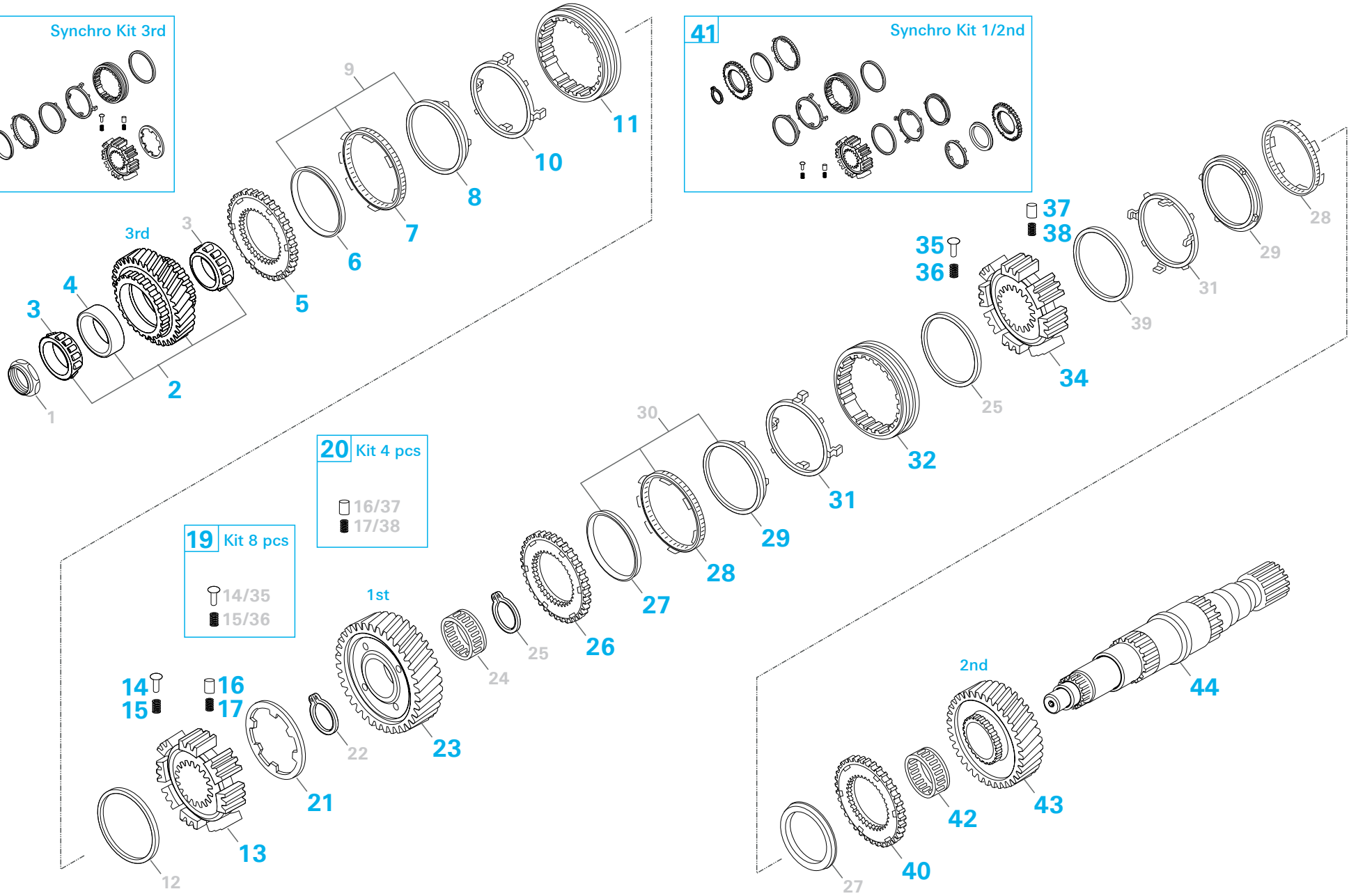


FIG.	VT2014B	VT2214B	VTO2214B	VT2514	VT2514B	VTO2514	VT2814B	VTO2814B	ZF	VOLVO*	Description	Qty	Notes
2	■	■	■	■	■	■	■	■	0073.201.002	8172640	Gear, Countershaft (28-29-28T.)	1	VT
2							■	■	0073.298.022	20537776	Repair Kit, Automatic Transmission (33-28T.)	1	VTO
3									0073.298.026	1521596	Tapered Roller Bearing (65x34)	2	
4									0073.298.026	1521657	Spacer (T.10,26)	1	
5	■	■	■	■	■	■	■	■	0073.301.030	1521878	Gearshift Sleeve, Manual Transmission (60-28T.)	1	
6	■	■	■	■	■	■	■	■	0073.301.068	3192951	Synchronizer Body, Manual Transmission	1	
7	■	■	■	■	■	■	■	■	0073.301.060	1069254	Synchronizer Body, Manual Transmission	1	
8	■	■	■	■	■	■	■	■	0073.301.071	1069255	Synchronizer Body, Manual Transmission	1	
10	■	■	■	■	■	■	■	■	0073.301.062	1521890	Synchronizer Body, Manual Transmission	1	Mechanical control
11	■	■	■	■	■	■	■	■	0073.301.056	20478729	(C) Gearshift Sleeve, Manual Transmission (60T.)	1	Total Height = 31,00 mm
13	■	■	■	■	■	■	■	■	0073.301.053	1521979	(C) Synchronizer Body, Manual Transmission (60-37T.)	1	
14	■	■	■	■	■	■	■	■	0073.298.011	20804800	Pressure Plunger	4	included in Kit FIG 21
15	■	■	■	■	■	■	■	■	0073.298.011	20845629	Spring	4	included in Kit FIG 21
16	■	■	■	■	■	■	■	■	0073.298.029	1521870	Repair Kit, manual transmission	2	inkl. FIG 17
17	■	■	■	■	■	■	■	■	0073.298.029	8172433	Repair Kit, manual transmission	2	inkl. FIG 16
19	■	■	■	■	■	■	■	■	0073.298.008	20847116	Repair Kit, Automatic Transmission	1	
20	■	■	■	■	■	■	■	■	0073.298.029	1004057	Repair Kit, Automatic Transmission	1	
21	■	■	■	■	■	■	■	■	0073.298.011	8172218	Repair Kit, manual transmission	1	inkl. FIG 21+35+36
23	■	■	■	■	■	■	■	■	0073.301.046	1521413	1st Gear, Main Shaft (46-28T.)	1	

\* For complete list of ex numbers please see: [aftermarket.zf.com/catalog](https://aftermarket.zf.com/catalog)

# CHART 02

## Mainshaft Front

**18** Synchro Kit 3rd

**41** Synchro Kit 1/2nd

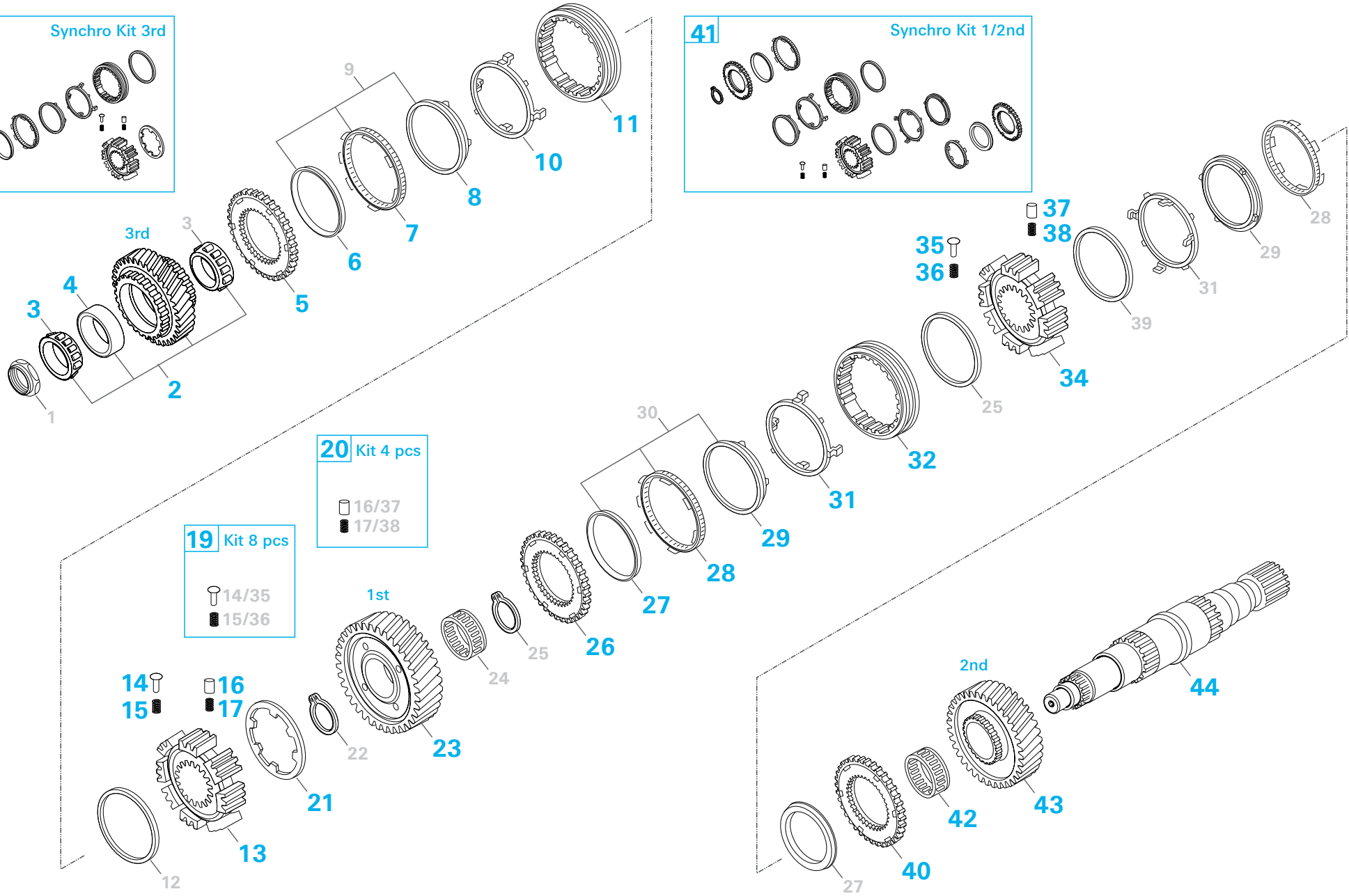


FIG.	VT2014B	VT2214B	VT02214B	VT2514	VT2514B	VT02514	VT2814B	VT02814B	ZF	VOLVO*	Description	Qty	Notes
26	■	■	■	■	■	■	■	■	0073.301.030	1521878	Gearshift Sleeve, Manual Transmission (60-28T.)	1	
27	■	■	■	■	■	■	■	■	0073.301.068	3192951	Synchronizer Body, Manual Transmission	2	
28	■	■	■	■	■	■	■	■	0073.301.060	1069254	Synchronizer Body, Manual Transmission	2	
29	■	■	■	■	■	■	■	■	0073.301.071	1069255	Synchronizer Body, Manual Transmission	2	
31	■	■	■	■	■	■	■	■	0073.301.062	1521890	Synchronizer Body, Manual Transmission	2	Mechanical control
32	■	■	■	■	■	■	■	■	0073.301.057	20588775	(H) Gearshift Sleeve, Manual Transmission (60T.)	1	Total Height = 32,20 mm
34	■	■	■	■	■	■	■	■	0073.301.069	20858492	(H) Synchronizer Body, Manual Transmission (60-45T.)	1	
35	■	■	■	■	■	■	■	■	0073.298.011	20804800	Pressure Plunger	4	included in Kit FIG 21
36	■	■	■	■	■	■	■	■	0073.298.011	20845629	Spring	4	included in Kit FIG 21
37									0073.298.029	1521870	Repair Kit, manual transmission	2	inkl. FIG 38
38									0073.298.029	8172433	Repair Kit, manual transmission	2	inkl. FIG 37
40	■	■	■	■	■	■	■	■	0073.301.031	1521879	Gearshift Sleeve, Manual Transmission (60-32T.)	1	
41	■	■	■	■	■	■	■	■	0073.298.021	20907441	Repair Kit, Automatic Transmission 1st-2nd Speed VT-VTO	1	
42	■	■	■	■	■	■	■	■	0073.301.316	1521452	Needle Bearing (95x103x60)	1	
43	■	■	■	■	■	■			0073.301.047	1521917	2nd Gear, Main Shaft (39-32T.)		L = 44,50 mm
43				■	■	■	■	■	0073.301.043	20539766	2nd Gear, Countershaft (39-32T.)	1	L = 48,00 mm
44	■	■	■	■	■	■	■	■	0073.301.040	1521406	Transmission Input Shaft, Manual Transmission (37-45-42-28T.)	1	





FIG.	VT2014B	VT2214B	VT02214B	VT2514	VT2514B	VT02514	VT2814B	VT02814B	ZF	VOLVO*	Description	Qty	Notes
1									<b>0073.298.038</b>	1652575	Needle Bearing (90x98x45,5)	1	Comes with 0073.298.038
2									<b>0073.298.038</b>	1521909	Low Speed Gear (38-28T.)	1	
2				■	■	■			<b>0073.301.050</b>	1521907	(X) Low Speed Gear, Main Shaft (37-28T.)	1	
2				■	■	■	■	■	<b>0073.301.044</b>	20539768	(Y) Low Speed Gear, Main Shaft (37-28T.)	1	
3	■	■	■	■	■	■	■	■	<b>0073.301.054</b>	20366735	(F) Synchronizer Body, Manual Transmission (28-42T.)	1	New Type
4	■	■	■	■	■				<b>0073.301.055</b>	20366826	(F) Gearshift Sleeve, Manual Transmission (28T.)	1	New Type L = 27,00 mm
5	■	■	■	■	■	■	■	■	<b>0073.301.032</b>	1652578	Synchronizer Ring, Manual Transmission (90x80x46,2)	1	
7	■	■	■	■	■	■	■	■	<b>0073.301.052</b>	3152722	Pulley, Reverse Gear (34-28T.)	1	
10	■	■	■	■	■	■	■	■	<b>0073.301.034</b>	1656232	Steel Lining Disc Set, Clutch	1	
11	■	■	■	■	■	■	■	■	<b>0073.301.051</b>	1521910	Gear, Main Shaft (24T.-28 Spl.)	1	
14	■	■	■	■	■	■	■	■	<b>0073.301.037</b>	1656264	Oil Pipe, Oil Distributor Shaft Planetary Gearbox	1	

\* For complete list of ex numbers please see: [aftermarket.zf.com/catalog](https://aftermarket.zf.com/catalog)

# CHART 04 Countershaft & RG

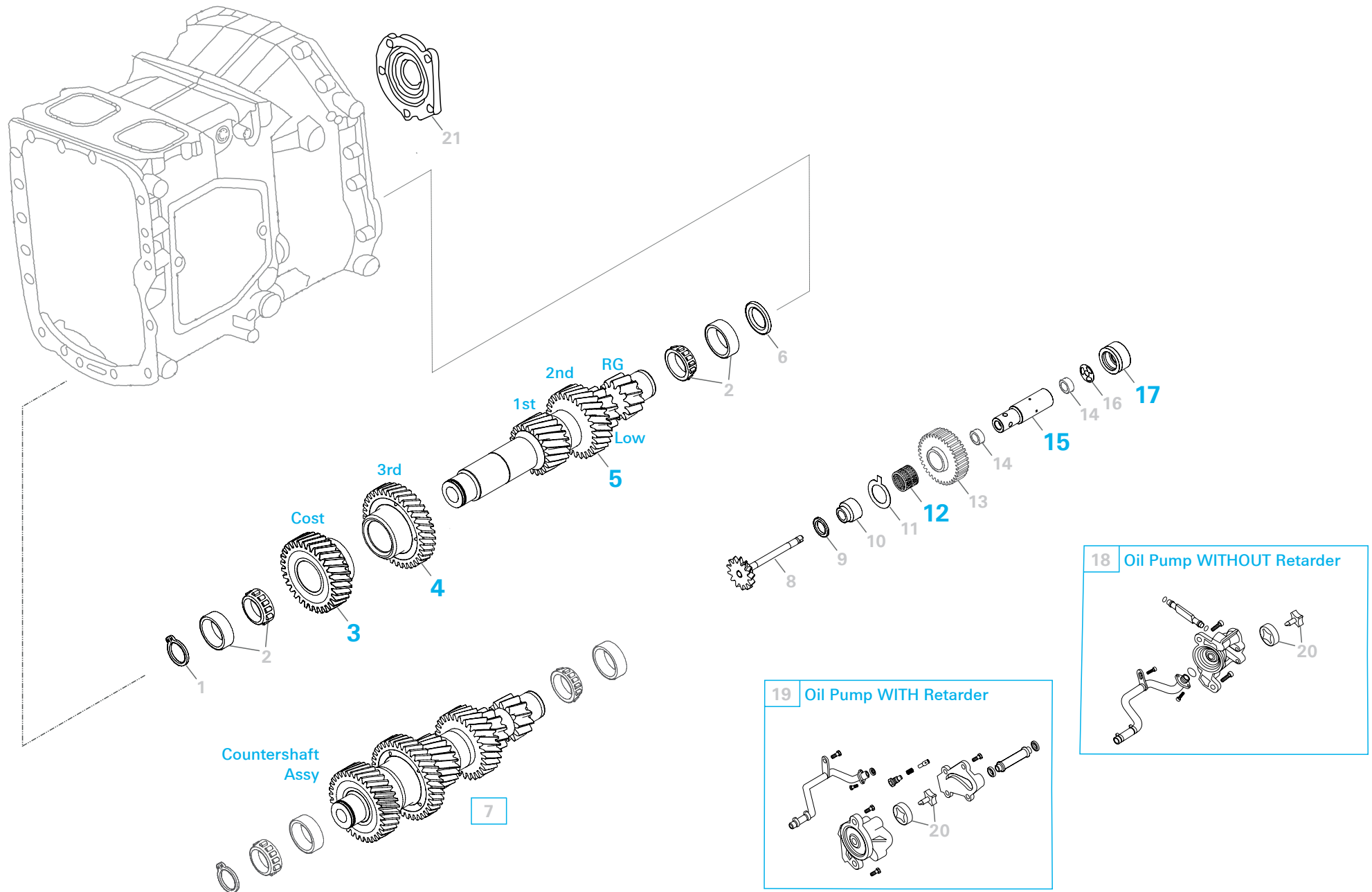


FIG.	VT2014B	VT2214B	VTO2214B	VT2514	VT2514B	VTO2514	VT2814B	VTO2814B	ZF	VOLVO*	Description	Qty	Notes
3	■	■	■	■	■	■	■	■	<b>0073.301.006</b>	1521913	Constant Gear Cntrshft (44T.)	1	
4	■	■	■	■	■	■	■	■	<b>0073.301.048</b>	1521914	3rd Speed Gear Cntrshft (33T.)	1	
5	■	■	■	■	■	■	■	■	<b>0073.301.041</b>	20883244	Countershaft (12-12-29-22T.)	1	(X) L = 40,00 mm
12	■	■	■	■	■	■	■	■	<b>0073.301.035</b>	1652581	Needle Bearing (42x50x30)	1	
15	■	■	■	■	■	■	■	■	<b>0073.301.036</b>	20366756	Pivot Reverse	1	
17	■	■	■	■	■	■	■	■	<b>0073.301.033</b>	1652884	Synchronizer Ring, manual transmission	1	

# CHART 05 Reduction Unit (GP)

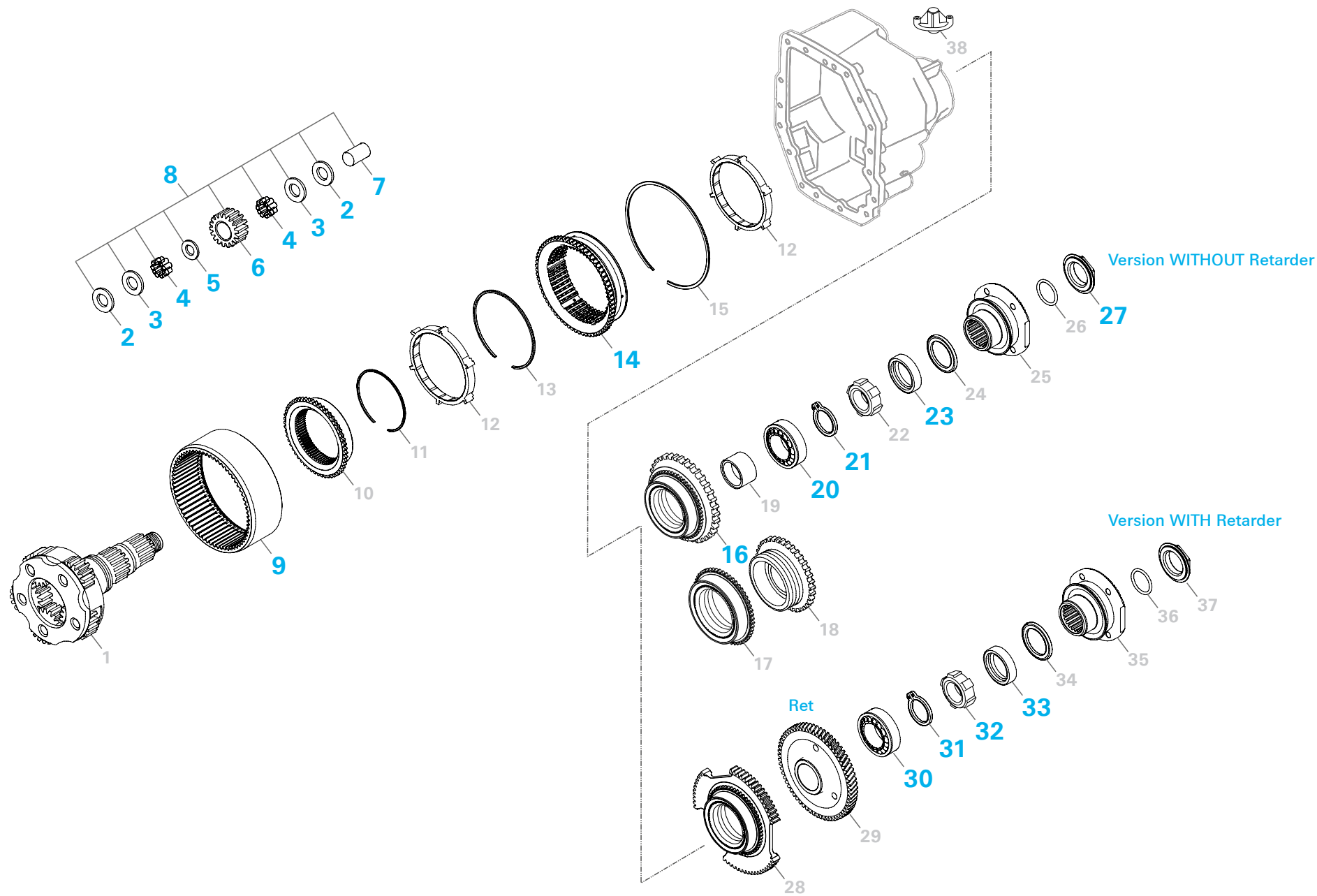


FIG.	VT2014B	VT2214B	VT02214B	VT2514	VT2514B	VT02514	VT2814B	VT02814B	ZF	VOLVO*	Description	Qty	Notes
2	■	■	■	■	■	■	■	■	0073.298.003	8171167	Washer Bronze (T.1,00)	10	comes with Fig. 8
3	■	■	■	■	■	■	■	■	0073.298.003	8171165	Washer Iron (T.1,00)	10	comes with Fig. 8
4	■	■	■	■	■	■	■	■	0073.298.003	1656113	Needle Roller (Ø6x18,9)	200	comes with Fig. 8
5	■	■	■	■	■	■	■	■	0073.298.003	267375	Spacer (44,3x36x1,95)	5	comes with Fig. 8
6	■	■	■	■	■	■	■	■	0073.298.003	1656208	Planetary Gear (19T.)	5	comes with Fig. 8
7	■	■	■	■	■	■	■	■	0073.298.003	1654054	Pivot	5	comes with Fig. 8
8	■	■	■	■	■	■	■	■	0073.298.003	85107014	Planetary Repair Kit, automatic transmission	1	incl. Fig 2 - 7
9	■	■	■	■	■	■	■	■	0073.301.042	1656209	Ring Gear, manual transmission (66T.)	1	
14	■	■	■	■	■	■	■	■	0073.301.070	1068946	Gearshift Sleeve, manual transmission (66-54T.)	1	
16	■	■	■	■	■	■	■	■	0073.301.063	21235526	Synchronizer Body, manual transmission (54T.)	1	Old Type
20	■	■	■	■	■	■	■	■	0073.301.010	21170624	Bearing, Transmission Output Shaft, Manual Transmission (70x140x26)	1	
21	■	■	■	■	■	■	■	■	0073.298.016	914556	Lock Ring (T.4,00)	1	
21	■	■	■	■	■	■	■	■	0073.298.016	1652804	Lock Ring (T.3,90)	1	
21	■	■	■	■	■	■	■	■	0073.298.016	1652803	Lock Ring (T.3,80)	1	
21	■	■	■	■	■	■	■	■	0073.298.016	1652802	Lock Ring (T.3,70)	1	
23	■	■	■	■	■	■	■	■	0073.298.016	1652776	Oil Seal Ring (90x145x10)	1	
27	■	■	■	■	■	■	■	■	0073.298.027	8171338	Nut (M60x2)	1	
30	■	■	■	■	■	■	■	■	0073.301.010	21170624	Ball Bearing, transmission output shaft (manual transmission) (70x140x26)	1	
31	■	■	■	■	■	■	■	■	0073.298.016	914556	Lock Ring (T.4,00)	1	

\* For complete list of ex numbers please see: [aftermarket.zf.com/catalog](https://aftermarket.zf.com/catalog)

# CHART 05 Reduction Unit (GP)

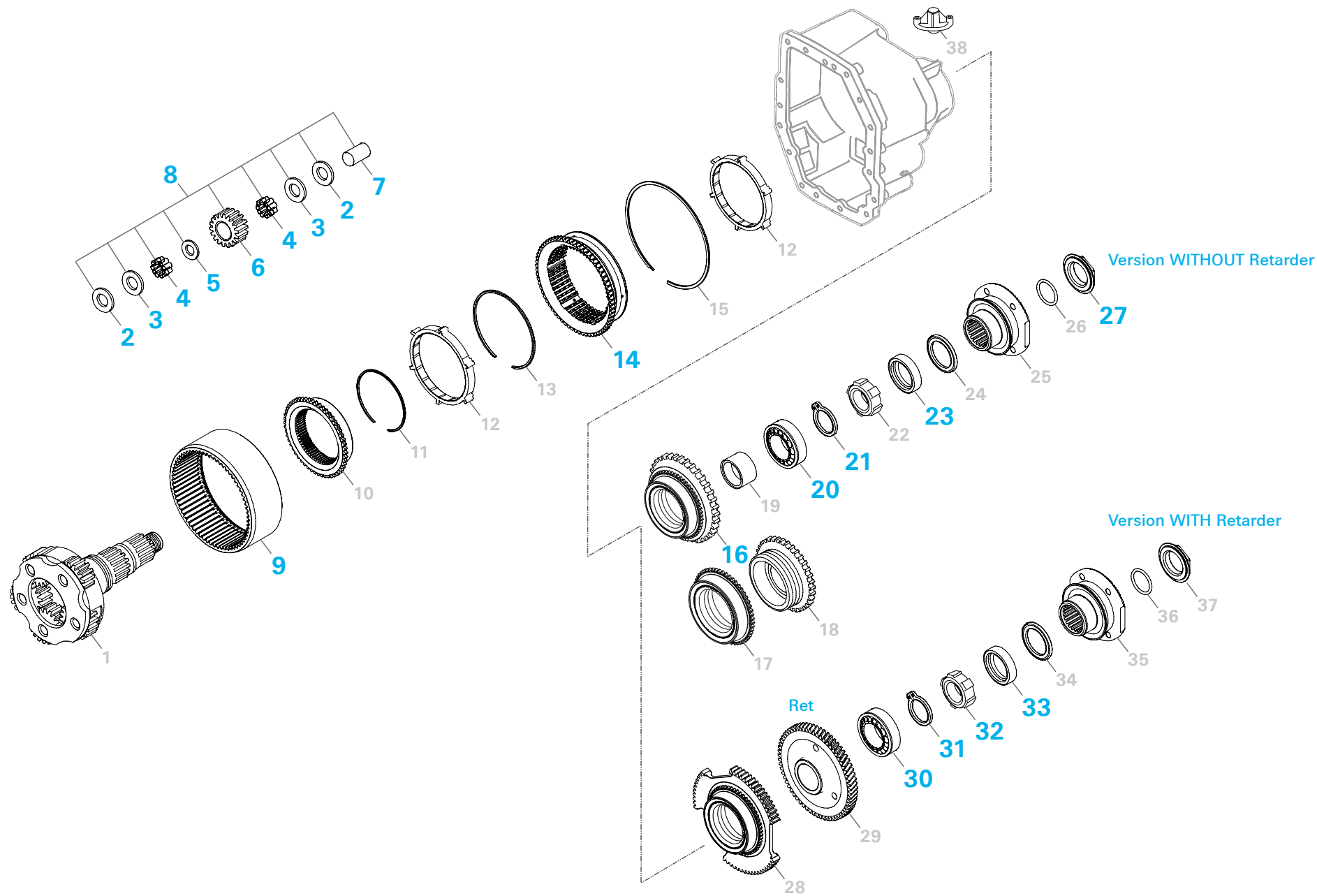
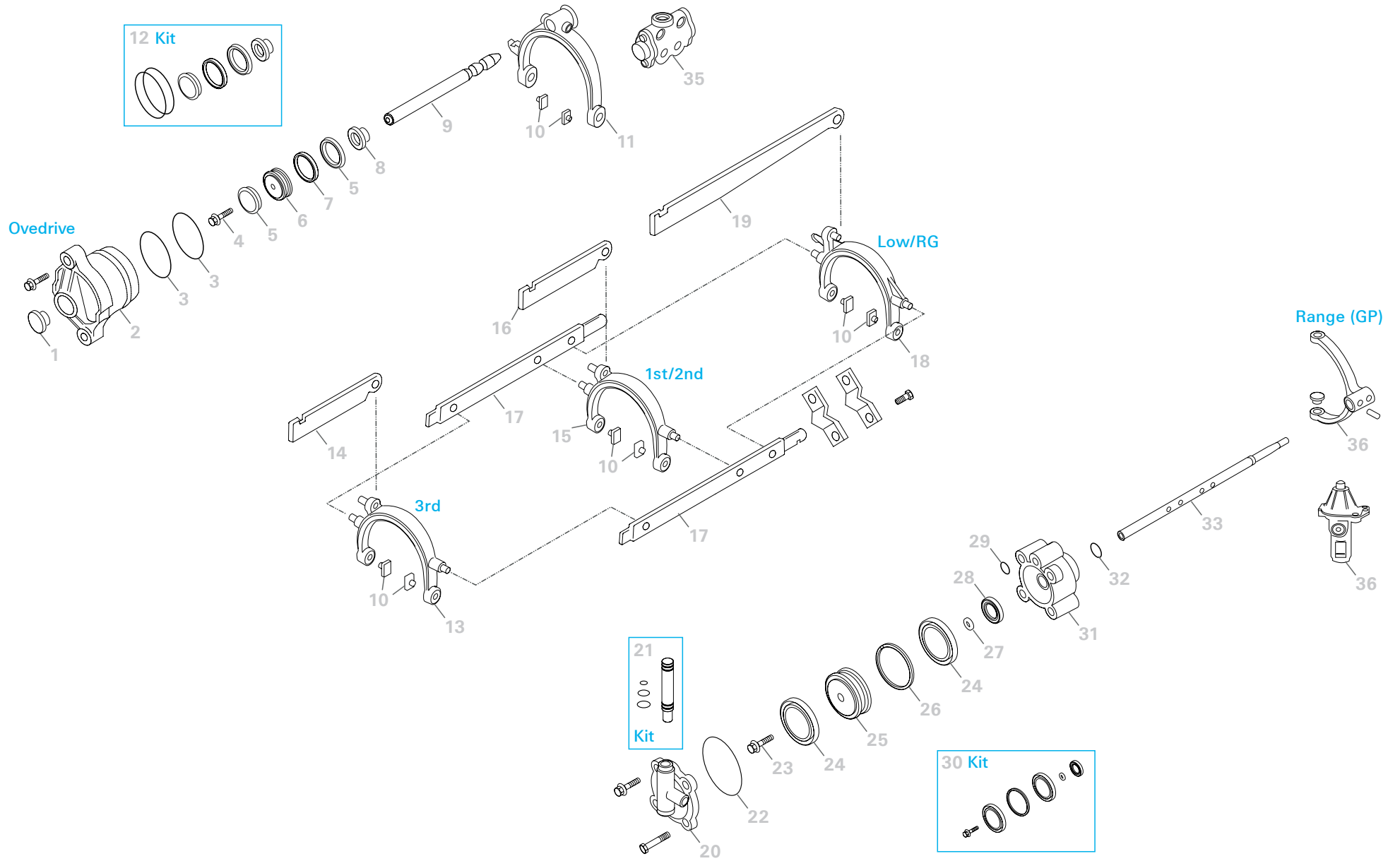


FIG.	VT2014B	VT2214B	VTO2214B	VT2514	VT2514B	VTO2514	VT2814B	VTO2814B	ZF	VOLVO*	Description	Qty	Notes
31	■	■	■	■	■	■	■	■	0073.298.016	1652804	Lock Ring (T.3,90)	1	
31	■	■	■	■	■	■	■	■	0073.298.016	1652803	Lock Ring (T.3,80)	1	
31	■	■	■	■	■	■	■	■	0073.298.016	1652802	Lock Ring (T.3,70)	1	
32	■	■	■	■	■	■	■	■	0073.298.031	20774242	Wheel Sensor	1	(M)
33	■	■	■	■	■	■	■	■	0073.298.016	1652776	Oil Seal Ring (90x145x10)	1	

# CHART 06 Forks





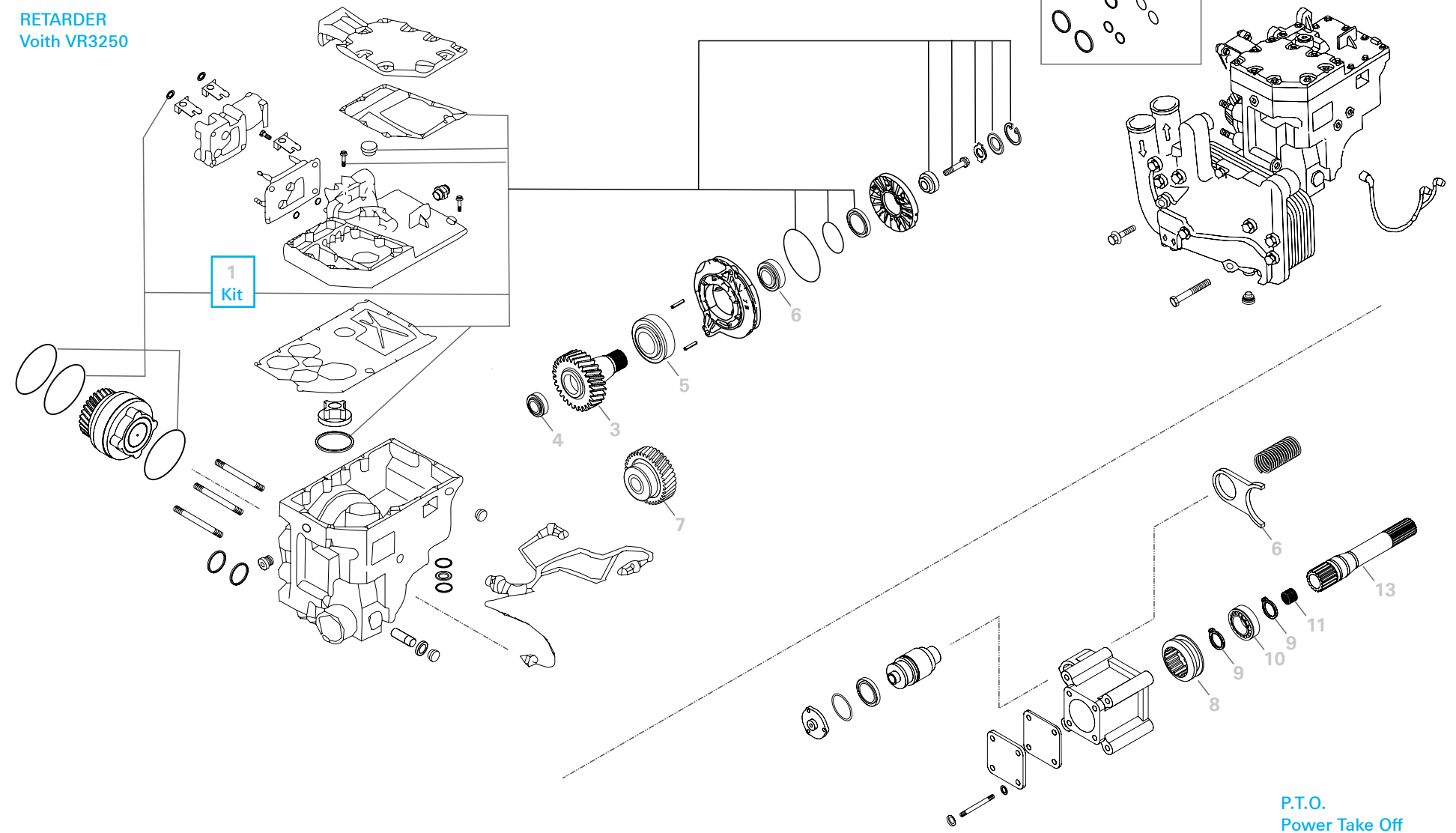


# CHART 07 Retarder & P.T.O.

RETARDER  
Voith VR3250

2 Kit

1  
Kit

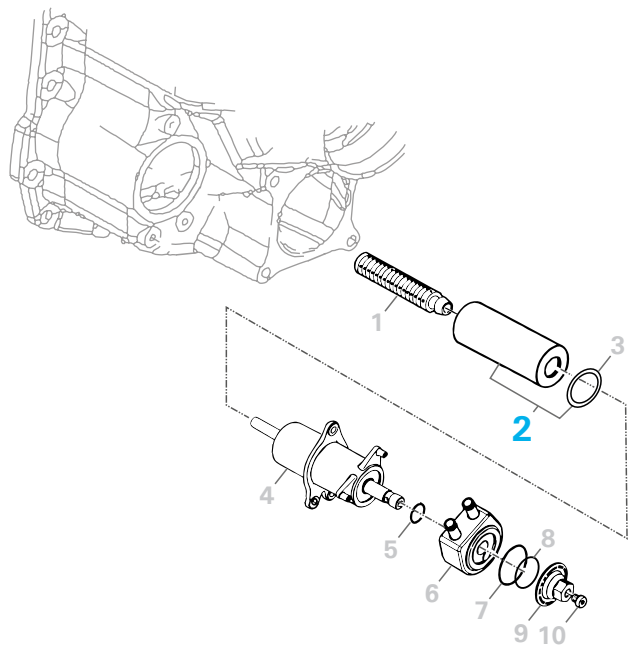


P.T.O.  
Power Take Off

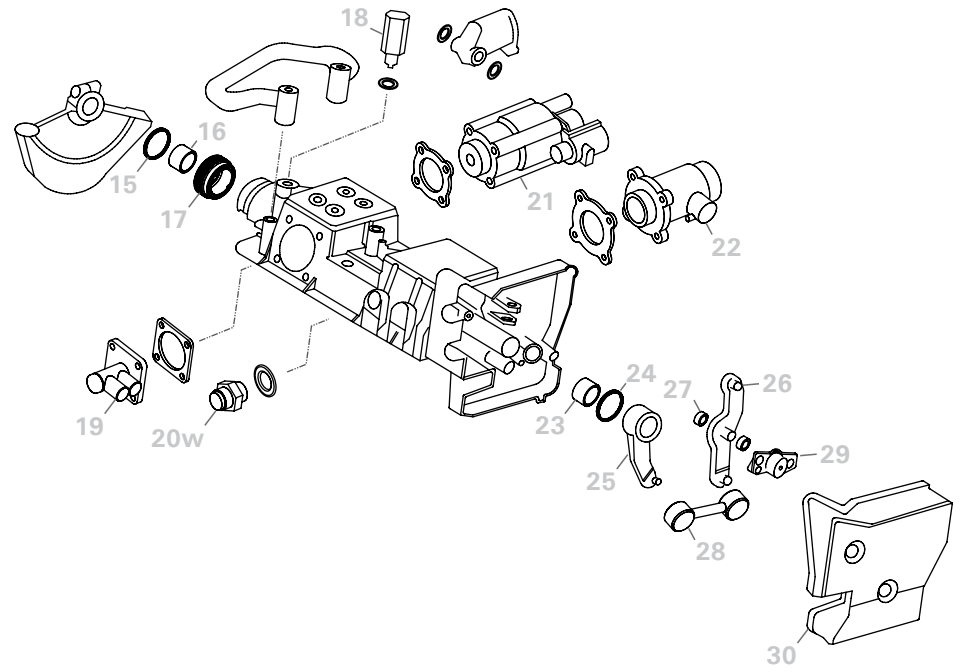


# CHART 08

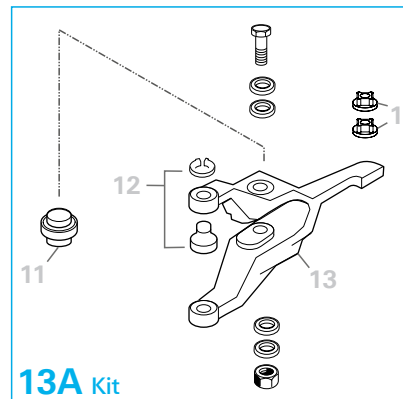
## Miscellaneous Parts



OIL FILTER



GEAR LEVER CARRIER



13A Kit

CLUTCH FORK COMP.

FIG.	VT2014B	VT2214B	VT02214B	VT2514	VT2514B	VT02514	VT2814B	VT02814B	ZF	VOLVO*	Description	Qty	Notes
2	■	■	■	■	■	■	■	■	<b>5961.307.907</b>	22023120	Oil Filter Kit	1	
13A	■	■	■	■	■	■	■	■	<b>3189.600.061</b>		Fork Kit	1	

\* For complete list of ex numbers please see: [aftermarket.zf.com/catalog](https://aftermarket.zf.com/catalog)

## ZF Friedrichshafen AG

ZF Aftermarket  
Obere Weiden 12  
97424 Schweinfurt  
Germany

Phone +49 9721 4756-0  
Fax +49 9721 4755000  
[aftermarket.zf.com](http://aftermarket.zf.com)



[twitter.com/zf\\_konzern](https://twitter.com/zf_konzern)  
[facebook.com/zfgroup.global](https://facebook.com/zfgroup.global)  
[youtube.com/zffriedrichshafenag](https://youtube.com/zffriedrichshafenag)

Legal disclaimer: The ZF Friedrichshafen AG products described above are specially designed for their specified intended use and may not be used for any other purpose. However, ZF makes neither an explicit nor an implied guarantee for the suitability of the products for certain intended uses neither explicitly agreed nor agreed in writing between ZF and its customers. The details in this flyer are, in particular, not binding with regard to the nature of the products. Only those written agreements made in the ordering process, in particular those concerning the nature of each product, shall be decisive in terms of ZF's contractual obligations. Proper assembly of the products is also a prerequisite for this guarantee. Details in advertising material are non-binding and cannot be consulted in determining the nature of the products. Subject to change without notice. Errors and omissions excepted. **For further information visit: [www.zf.com/dis](http://www.zf.com/dis)**